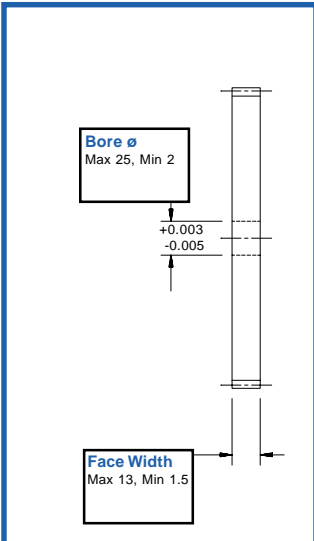
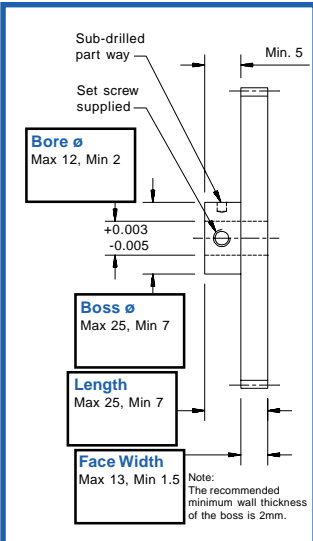
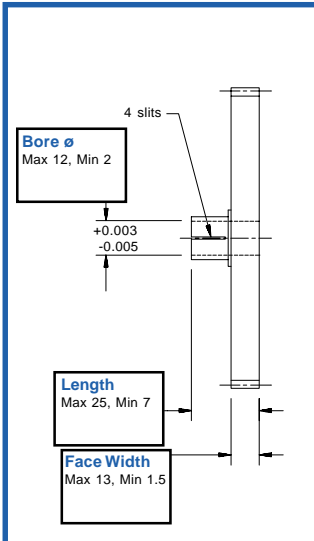




METRIC

Non-standard Gear Faxback



Dimensions shown in mm (Imperial dimensions may be specified within the limits shown).
 General tolerances $\pm 0.13\text{mm}$. Gears supplied to Reliance AQ10 standard, other accuracies available - see [page T6-1](#)


Clamp Style	
Number of Teeth	
Pitch (0.2-1.5 MOD, 16-120 DP)	
N.B. Maximum Outside ϕ is 100mm.	
Material (please tick)	✓
Aluminium Alloy (L168)	<input type="checkbox"/>
Stainless Steel (303S21/31)	<input type="checkbox"/>
Brass (CZ121 BS2874)	<input type="checkbox"/>
Quantity	

Pin Hub Style	
Number of Teeth	
Pitch (0.2-1.5 MOD, 16-120 DP)	
N.B. Maximum Outside ϕ is 100mm.	
Material (please tick)	✓
Aluminium Alloy (L168)	<input type="checkbox"/>
Stainless Steel (303S21/31)	<input type="checkbox"/>
Hardened Stainless St. (17-4PH)	<input type="checkbox"/>
Brass (CZ121 BS2874)	<input type="checkbox"/>
Quantity	

Hubless	
Number of Teeth	
Pitch (0.2-1.5 MOD, 16-120 DP)	
N.B. Maximum Outside ϕ is 100mm.	
Material (please tick)	✓
Aluminium Alloy (L168)	<input type="checkbox"/>
Stainless Steel (303S21/31)	<input type="checkbox"/>
Brass (BS249 or CZ121 BS2874)	<input type="checkbox"/>
Delrin	<input type="checkbox"/>
Quantity	

SPECIFY YOUR CHOICE OF GEAR

If you cannot find the gear you are looking for in the standard range, simply print out this page, complete the dimensions* within the limits shown and fax it to Reliance Gear Company on :



+44 (0)1484 601061

Name : _____
 Job Title : _____
 Department : _____
 Company : _____
 Address : _____

 Post Code : _____
 Telephone : _____
 Fax : _____

*Imperial dimensions may be specified within the limits shown.