

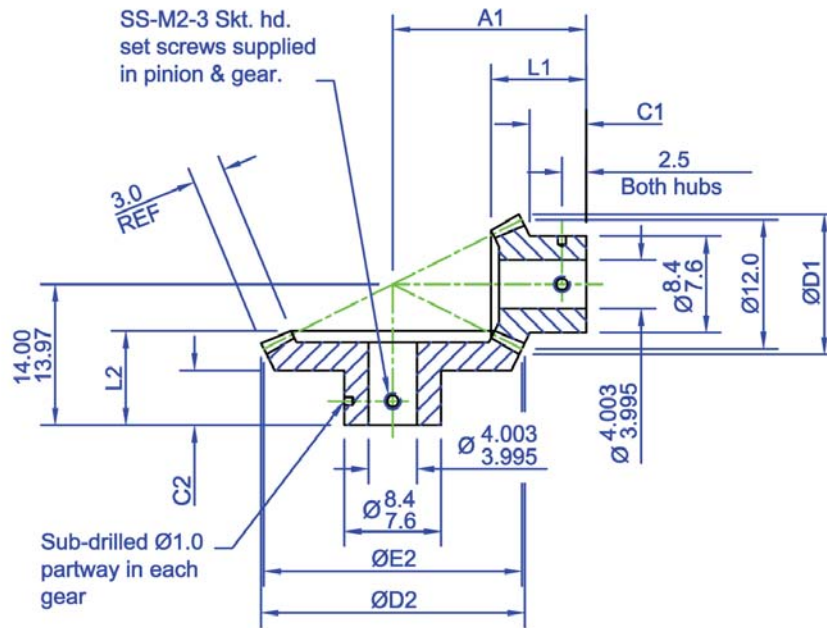


0.4 Module 4 mm Bore

Precision Bevel Gears

All dimensions in mm
General tolerances $\pm 0.13\text{mm}$
Pressure angle 20°

Associated Online Products
Shafts
Bearings
Set screws



5

Part number selection table

Part Number (pair)	Ratio	Module	Number of Teeth		Max. TTCE (pair)	Max. TCE (pair)
			Pinion	Gear		
M04N-1S	1:1	0.4	30	30	0.025	0.050
M04N-2S	2:1		30	60		
M04N-3S	3:1		30	90		
M04N-4S	4:1		30	120		

Dimension table

Part Number (pair)	Overall Length ± 0.15		Outside Dia $+0.00 / -0.05$		Pitch Dia Gear $\varnothing E2$	Hub Length ± 0.25		Distance to Apex $+0.00 / -0.03$
	Pinion L1	Gear L2	Pinion $\varnothing D1$	Gear $\varnothing D2$		Pinion C1	Gear C2	
M04N-1S	10.28	10.28	12.56	12.56	12.0	6.00	6.00	14.00
M04N-2S	9.86	9.50	12.96	24.23	24.0	6.00	5.00	19.00
M04N-3S	9.00	9.13	13.07	36.15	36.0	5.33	5.00	24.00
M04N-4S	8.03	8.91	13.11	48.11	48.0	4.50	5.00	29.00

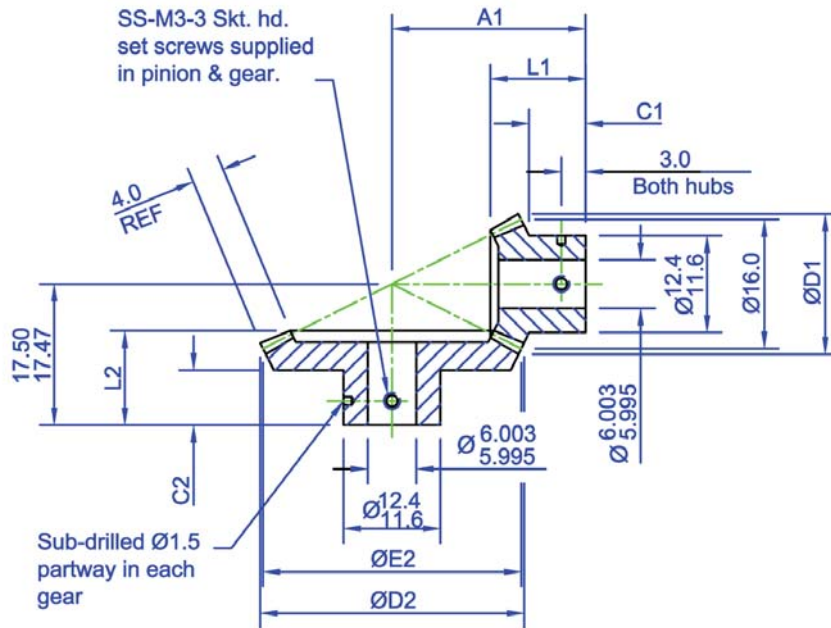
- Material : Stainless steel 303



Associated Online Products

Shafts
Bearings
Set screws

All dimensions in mm
General tolerances $\pm 0.13\text{mm}$
Pressure angle 20°



5

Part number selection table

Part Number (pair)	Ratio	Module	Number of Teeth		Max. TTCE (pair)	Max. TCE (pair)
			Pinion	Gear		
M05N-1S	1:1	0.5	32	32	0.025	0.050
M05N-2S	2:1		32	64		
M05N-3S	3:1		32	96		
M05N-4S	4:1		32	128		

Dimension table

Part Number (pair)	Overall Length ± 0.15		Outside Dia $+0.00 / -0.05$		Pitch Dia Gear $\varnothing E2$	Hub Length ± 0.25		Distance to Apex $+0.00 / -0.03$ Pinion A1
	Pinion L1	Gear L2	Pinion $\varnothing D1$	Gear $\varnothing D2$		Pinion C1	Gear C2	
M05N-1S	12.52	12.52	16.71	16.71	16.0	7.50	7.50	17.50
M05N-2S	11.80	11.49	17.20	32.29	32.0	7.00	6.00	24.00
M05N-3S	9.98	10.98	17.34	48.19	48.0	5.30	6.00	30.00
M05N-4S	10.03	10.70	17.39	64.14	64.0	5.50	6.00	38.00

- Material : Stainless steel 303

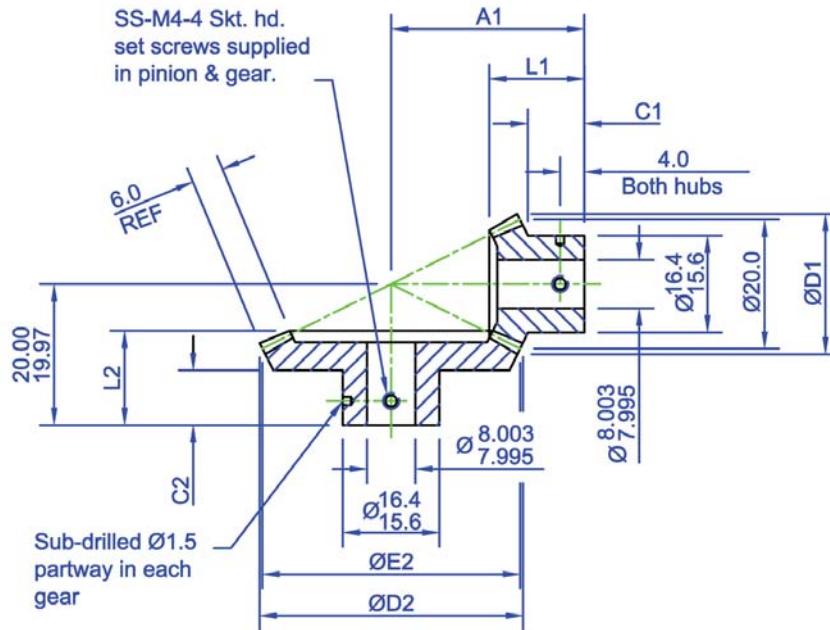


0.8 Module 8 mm Bore

Precision Bevel Gears

All dimensions in mm
General tolerances $\pm 0.13\text{mm}$
Pressure angle 20°

Associated Online Products
Shafts
Bearings
Set screws



5

Part number selection table

Part Number (pair)	Ratio	Module	Number of Teeth		Max. TTCE (pair)	Max. TCE (pair)
			Pinion	Gear		
M08N-1S	1:1	0.8	25	25	0.025	0.050
M08N-2S	2:1		25	50		

Dimension table

Part Number (pair)	Overall Length ± 0.15		Outside Dia $+0.00 / -0.05$		Pitch Dia Gear $\varnothing E2$	Hub Lengths ± 0.25		Distance to Apex $+0.00 / -0.03$
	Pinion L1	Gear L2	Pinion $\varnothing D1$	Gear $\varnothing D2$		Pinion C1	Gear C2	
M08N-1S	14.51	14.51	21.13	21.13	20.0	8.30	8.30	20.00
M08N-2S	15.70	13.00	21.93	40.47	40.0	9.00	7.50	30.00

- Material : Stainless steel 303

Mitre Bevel Gears Integral Clamp

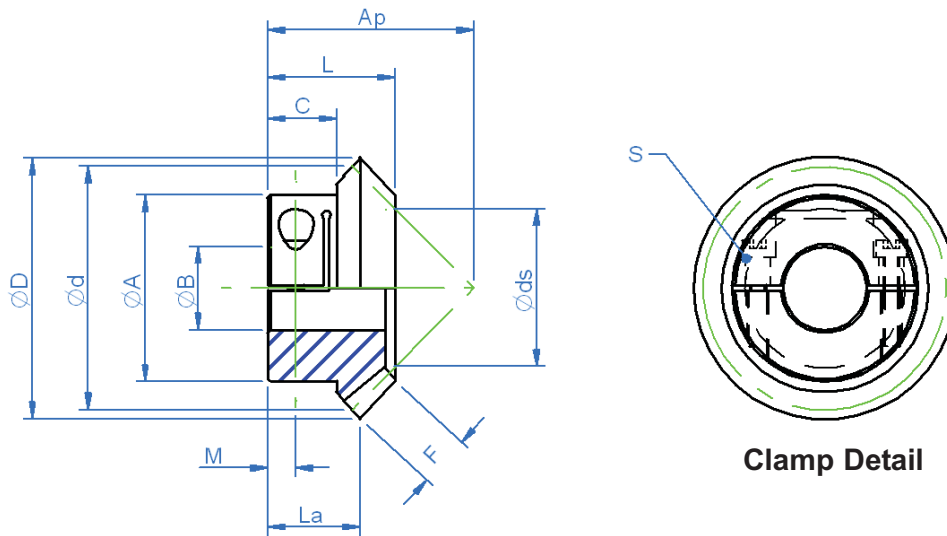
0.8, 1.0, 1.5
Modules



Associated Online Products

Shafts
Bearings
Set screws

All dimensions in mm
Pressure angle 20°



5

Part number selection table

supplied with two clamp screws

Part Number	Ratio	Module	Number of Teeth	Face Width F	Set Screw		Face Angle	Distance to Apex Ap	Screw Tightening Torque Nm
					S	M			
ML80SU20-1605	1:1	0.8	20	3.7	M2.5	3	49°3'	16.00	0.68
ML1SU20-2106		1.0	20	4.3	M3	4	49°3'	21.00	0.98
ML1SU30-2808		1.0	30	6.2	M4	5	47°42'	28.00	2.45
ML1.5SU20-3010		1.5	20	6.8	M4	5	49°3'	30.00	2.45

Dimension table

Part Number	Overall Length L	Outside Dia ØD	Reference Dia Ød	Bore Dia (H8) ØB	Hub Dia ØA	Hub Length C	Tip Distance La	Øds
ML80SU20-1605	10.95	17.13	16	5	14.5	7.25	8.57	9.5
ML1SU20-2106	14.48	21.41	20	6	16.0	9.00	11.71	11.8
ML1SU30-2808	17.84	31.41	30	8	24.0	11.00	13.71	19.4
ML1.5SU20-3010	20.38	32.12	30	10	24.0	12.00	16.06	17.7

- Material : Stainless steel SUS304
- Gear accuracy : ISO 8
- Recommended shaft tolerance h7 or better
- Recommended shaft surface finish 1.6Ra or better

Small quantities of selected items available ex-stock, please visit our online store
www.rpmechatronics.co.uk

Standard Product Sales :
www.rpmechatronics.co.uk

+44 (0)1484 601060

+44 (0)1484 601061

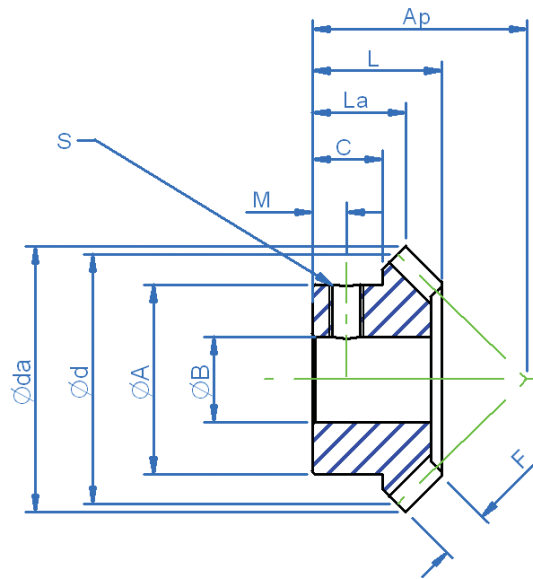
sales@rpmechatronics.co.uk

© Reliance Precision Mechatronics LLP



All dimensions in mm
Pressure angle 20°

Associated Online Products
Shafts
Bearings
Set screws



5

Part number selection table

set screw not supplied

Part Number	Ratio	Module	Number of Teeth	Face Width F	Set Screw		Face Angle	Distance to Apex Ap
					S	M		
M80SU20+1605	1:1	0.8	20	3.7	M3	3.0	49°30'	16.00
M80SU25+1805		0.8	25	4.7	M3	3.0	48°51'	18.00
M80SU30+2006		0.8	30	5.6	M4	3.5	47°42'	20.00
M1SU20+2106		1.0	20	4.3	M4	4.5	49°30'	21.00
M1SU25+2306		1.0	25	5.3	M4	4.0	48°51'	23.00
M1SU30+2608		1.0	30	6.2	M5	4.5	47°42'	26.00

Dimension table

Part Number	Overall Length L	Outside Dia Øda	Reference Dia Ød	Bore Dia (H8) ØB	Hub Dia ØA	Hub Length C	Tip Distance La
M80SU20+1605	11.00	17.13	16.0	5	12.0	6.00	8.57
M80SU25+1805	11.67	21.13	20.0	5	16.0	6.00	8.57
M80SU30+2006	12.34	25.13	24.0	6	18.0	6.00	8.57
M1SU20+2106	14.53	21.41	20.0	6	16.0	9.00	11.71
M1SU25+2306	14.70	26.41	25.0	6	20.0	8.00	11.21
M1SU30+2608	15.89	31.41	30.0	8	22.0	8.90	11.71

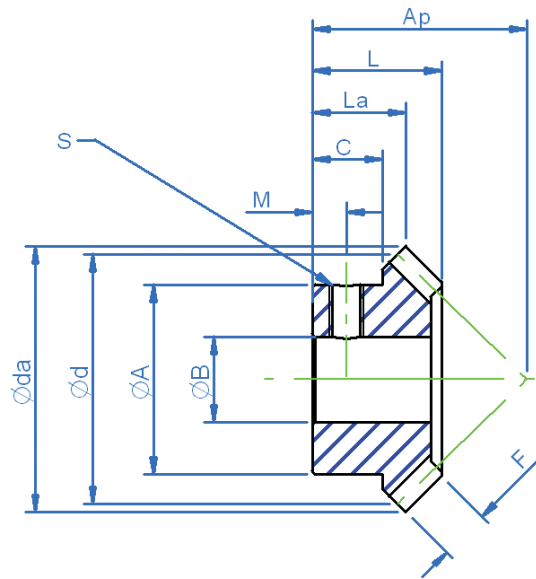
- Material : Stainless steel SUS304
- Gear accuracy : ISO 8
- For transmission capacity - see [page 118](#)

Small quantities of selected items available ex-stock, please visit our online store
www.rpmechatronics.co.uk

Associated Online Products

Shafts
Bearings
Set screws

All dimensions in mm
Pressure angle 20°



Part number selection table

set screw not supplied

5

Part Number	Ratio	Module	Number of Teeth	Face Width F	Set Screw		Face Angle	Distance to Apex Ap
					S	M		
B80SU20+5	2:1	0.8	20	4.5	M3	2.5	29°8'	22.50
B80SU40+6		0.8	40	4.5	M4	3.5	66°0'	16.46
B1SU20+6		1.0	20	5.7	M4	4.0	29°8'	29.60
B1SU40+8		1.0	40	5.7	M5	4.0	66°0'	21.80

Dimension table

Part Number	Overall Length L	Outside Dia Øda	Reference Dia Ød	Bore Dia (H8) ØB	Hub Dia ØA	Hub Length C	Tip Distance La
B80SU20+5	10.79	17.43	16.0	5	12.0	5.5	6.86
B80SU40+6	11.01	32.72	32.0	6	20.0	6.0	9.18
B1SU20+6	15.03	21.79	20.0	6	16.0	8.6	10.05
B1SU40+8	15.02	40.89	40.0	8	25.0	8.0	12.69

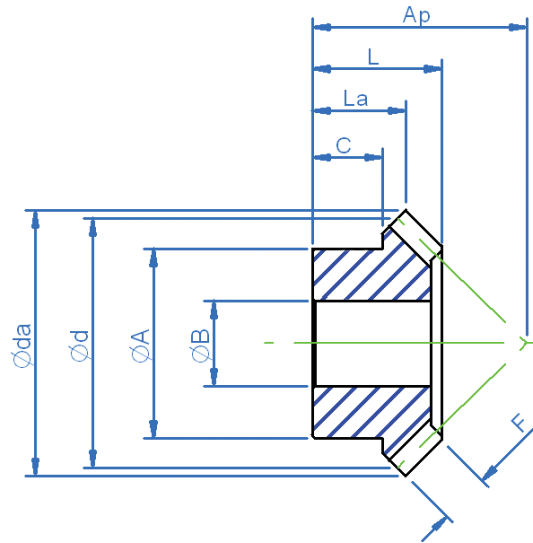
- Material : Stainless steel SUS304
- Gear accuracy : ISO 8
- For transmission capacity - see [page 118](#)

Small quantities of selected items available ex-stock, please visit our online store
www.rpmechatronics.co.uk



All dimensions in mm
Pressure angle 1:1 ratio 20°

Associated Online Products
Shafts



5 Part number selection table

Part Number	Ratio	Module	Number of Teeth	Face Width F	Face Angle	Distance to Apex Ap
M50B20-1103	1:1	0.5	20	2.5	49°3'	11.00
B50B20	2:1	0.5	20	3.2	29°8'	15.52
B50B40	2:1	0.5	40	3.2	66°0'	10.56
M80B20-1605	1:1	0.8	20	3.7	49°3'	16.00
B80B20	2:1	0.8	20	4.5	29°8'	22.50
B80B40	2:1	0.8	40	4.5	66°0'	16.46
M1B20-2006	1:1	1.0	20	4.3	49°3'	20.50

Dimension table

Part Number	Overall Length	Outside Dia	Reference Dia	Bore Dia (H8)	Hub Dia	Hub Length	Tip Distance
	L	Øda	Ød	ØB	ØA	C	La
M50B20-1103	8.00	10.71	10.0	3	8	5.0	6.35
B50B20	8.54	10.89	10.0	3	8	5.0	5.74
B50B40	7.31	20.45	20.0	4	12	4.0	6.01
M80B20-1605	11.00	17.13	16.0	5	12	6.0	8.57
B80B20	10.79	17.43	16.0	5	12	5.5	6.86
B80B40	11.01	32.72	32.0	6	20	6.0	9.18
M1B20-2006	14.03	21.41	20.0	6	16	8.5	11.21

- Material : Brass ISO CuZn98Pb3
- Gear accuracy : ISO 8
- Part numbers apply to individual gears only
- For transmission capacity - see [page 118](#)

Small quantities of selected items available ex-stock, please visit our online store
www.rpmechatronics.co.uk