

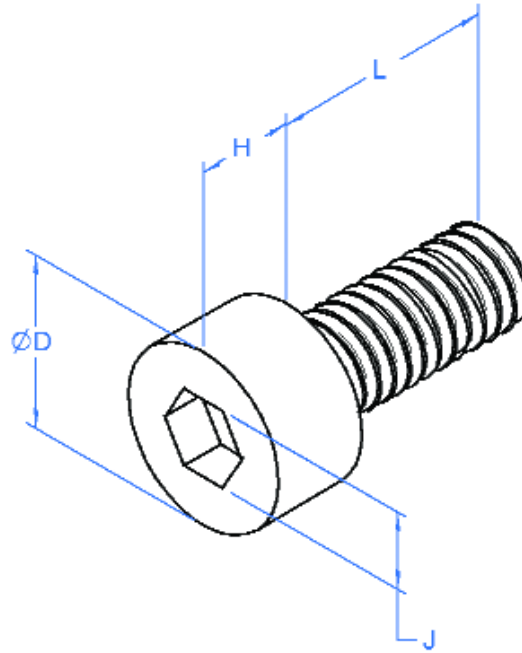


Plain Socket Head Screws

M1.6 - M6

General Information

All dimensions in mm
 Thread Specification:
 BS3643: Pt.2 1981
 Tolerance class: 6g.
 Material:
 A2-70 Austenitic⁽¹⁾
 A4-70 Austenitic⁽²⁾
 Stainless steel to
 ISO 3506-1: 1997



Associated Products

Disc springs
 Nuts and washers

Visit our online catalogue for associated products

www.rpmechatronics.co.uk

Part number selection table

Example Part No:-							S - M3 - 12 - A47									
Basic Part No.	Std Thd Size	ØD max	H max	J nom	Standard Length L								Matl.			
					3	4	5	6	8	10	12	16		20	25	30
S	M1.6	3.0	1.6	1.5	3	4	5	6	8							A27 ⁽¹⁾
	M2	3.8	2.0	1.5	4	5	6	8								A47 ⁽²⁾
	M2.5	4.5	2.5	2.0		5	6	8	10							
	M3	5.5	3.0	2.5			6	8	10	12	16	20				
	M4	7.0	4.0	3.0				8	10	12	16	20	25			
	M5	8.5	5.0	4.0					10	12	16	20	25	30		
M6	10.0	6.0	5.0						12	16	20	25	30	40		

- Plain socket head cap screw to ISO 4762.
- 700 MPa minimum tensile strength.
- Rolled thread for excellent surface finish, superior thread strength and increased hardness properties.

Non-standard options, please enquire....

- Slotted head.
- Imperial sizes.
- Alternative materials.

Standard Product Sales : ☎ +44 (0)1484 601060 📠 +44 (0)1484 601061
 www.rpmechatronics.co.uk sales@rpmechatronics.co.uk

© Reliance Precision Mechatronics LLP