

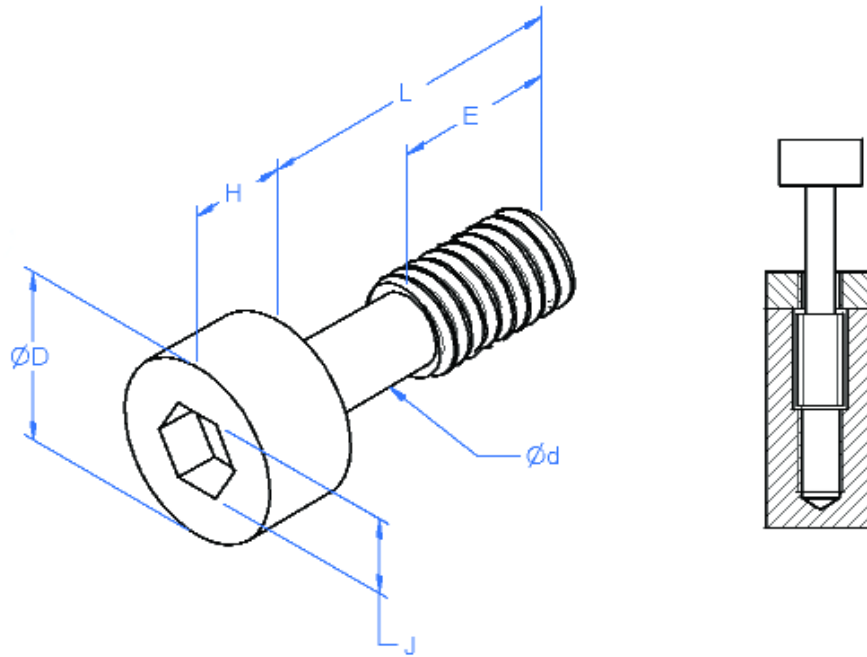


# Captive Screws

M2 - M6

## General Information

All dimensions in mm  
 Thread Specification:  
 BS3643: Pt.2 1981  
 Tolerance class: 6g.  
 Material:  
 A2-70 Austenitic<sup>(1)</sup>  
 A4-70 Austenitic<sup>(2)</sup>  
 Stainless steel to  
 ISO 3506-1: 1997



## Associated Products

Disc springs  
 Nuts and washers

Visit our online catalogue for associated products

## Part number selection table

**Example Part No:-** **S - M3 - 16 - A47 - CA**

Basic Part No.	Std Thd Size	ØD max	H max	J nom	Ød ±0.1	E ±0.1	Standard Length L				Matl.		
							10	12	16	20			
S	M2	3.8	2.0	1.5	1.4	4.0	10				A27 <sup>(1)</sup>		
	M2.5	4.5	2.5	2.0	1.8	5.0		12			A47 <sup>(2)</sup>		
	M3	5.5	3.0	2.5	2.2	6.0			16	20			
	M4	7.0	4.0	3.0	3.0	8.0				20		25	
	M5	8.5	5.0	4.0	3.8	10.0						25	30
	M6	10.0	6.0	5.0	4.5	12.0							30

- Socket head cap screw in accordance with ISO 4762 with plain shank length for captive assembly of the screw to prevent fastener loss.
- Ideal for service covers.
- Rolled thread for excellent surface finish, superior thread strength and increased hardness properties.

## Non-standard options, please enquire....

- Slotted head.
- Imperial sizes.
- Alternative materials.

www.rpmechatronics.co.uk

Standard Product Sales : ☎ +44 (0)1484 601060 📠 +44 (0)1484 601061  
 www.rpmechatronics.co.uk sales@rpmechatronics.co.uk

© Reliance Precision Mechatronics LLP