



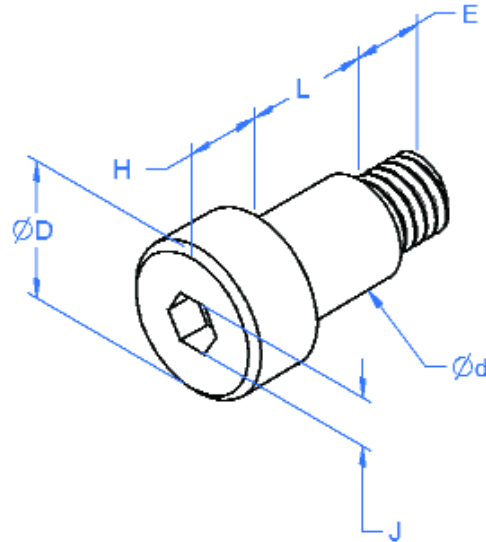
Shoulder Screws

M3 - M10

General Information

All dimensions in mm

Material:
303 Stainless steel.



Associated Products

Disc springs
Nuts and washers

Visit our online catalogue for associated products

www.rpmechatronics.co.uk

Part number selection table

Example Part No:- **MSS2 - M6 - 35**

Basic Part No.	Std Thd Size	Ød +0.000 -0.025	ØD	J nom	H	E ±0.1	Length L	
							+0.05	-0.00
MSS2	M3	3.987	6	2	3	4	4.01	1
							5.01	2
							6.01	3
							8.01	4
							10.01	5
	M4	4.987	8	2.5	4	5	4.01	6
							5.01	7
							6.01	8
							8.01	9
							10.01	10
							12.01	11
							14.01	12
							16.01	13
							20.01	14
							25.01	15
							30.01	16
	M5	5.987	10	3	5	6	4.01	17
							5.01	18
							6.01	19
							8.01	20
							10.01	21
							12.01	22
							14.01	23
							16.01	24
							20.01	25
							25.01	26
							30.01	27

Standard Product Sales : ☎ +44 (0)1484 601060 📠 +44 (0)1484 601061
www.rpmechatronics.co.uk sales@rpmechatronics.co.uk

© Reliance Precision Mechatronics LLP



Basic Part No.	Std Thd Size	Ød +0.000 -0.025	ØD	J nom	H	E ±0.1	Length L +0.05 -0.00	Length Code						
MSS2	M6	7.987	12	4	6	11	6.01	28						
							8.01	29						
							10.01	30						
							12.01	31						
							16.01	32						
							20.01	33						
	M8	9.987	14	5	7	12	8.01	34						
							10.01	35						
							12.01	36						
							16.01	37						
							M10	11.987	20	6	8	16	12.01	42
													16.01	43
20.01	44													
25.01	45													

General Information

All dimensions in mm
Material:
303 Stainless steel.

Associated Products

Disc springs
Nuts and washers

Visit our online catalogue for associated products

www.rpmechatronics.co.uk

- Socket head screw with accurate diameter shoulder for precision assemblies.
- May be used to replace components such as shafts, pivots, pins and guides.
- Used for linkages, stationary guides and pivots.

Non-standard options, please enquire...

- Slotted head, Phillips head.
- Imperial sizes.
- Alternative material (416).
- Alternative lengths.

Standard Product Sales : +44 (0)1484 601060 +44 (0)1484 601061
www.rpmechatronics.co.uk sales@rpmechatronics.co.uk

© Reliance Precision Mechatronics LLP