

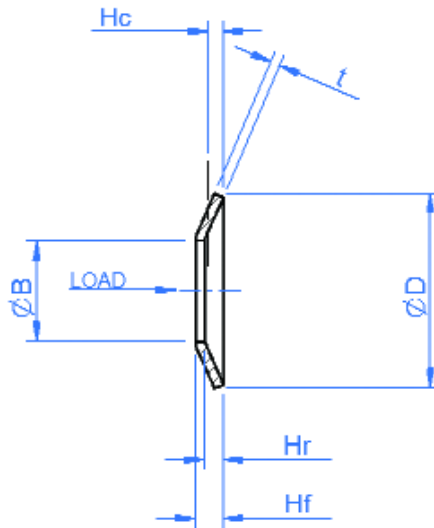


Disc Springs

To Suit M4 - M12 Screws

General Information

All dimensions in mm
 General tolerances:
 $\pm 0.13\text{mm}$
 Material:
 Stainless steel
 X12CrNi 17 7
 (DIN1.4310).



Associated Products

Shafts
 Bearings
 Machine screws
 Nuts and washers

Visit our online catalogue for associated products

Part number selection table

Example Part No:- **BW - M6**

Basic Part No.	Screw Size	ØD	ØB	t	Free Height Hf	Ref. Height Hr	Compressed Height Hc (75% Defl.)	Force Compress to Hc (N)
BW	M4	8.0	4.2	0.40	0.60	0.20	0.45	193
	M5	10.0	5.2	0.50	0.75	0.25	0.56	300
	M6	12.5	6.2	0.70	0.95	0.25	0.76	503
	M7	14.0	7.2	0.80	1.10	0.30	0.87	735
	M8	16.0	8.2	0.90	1.25	0.35	0.99	934
	M10	20.0	10.2	1.10	1.55	0.45	1.21	1403
	M11	22.5	11.2	1.25	1.65	0.40	1.35	1411
M12	25.0	12.2	1.50	1.90	0.40	1.60	1944	

- For use where controlled axial force is required.
- Good for bearing pre-load configurations.

Non-standard options, please enquire....

- Imperial sizes.
- Alternative materials.

Standard Product Sales : ☎ +44 (0)1484 601060 📠 +44 (0)1484 601061
www.rpmechatronics.co.uk sales@rpmechatronics.co.uk

© Reliance Precision Mechatronics LLP