



Ball Bearings

ABEC 7

General Information

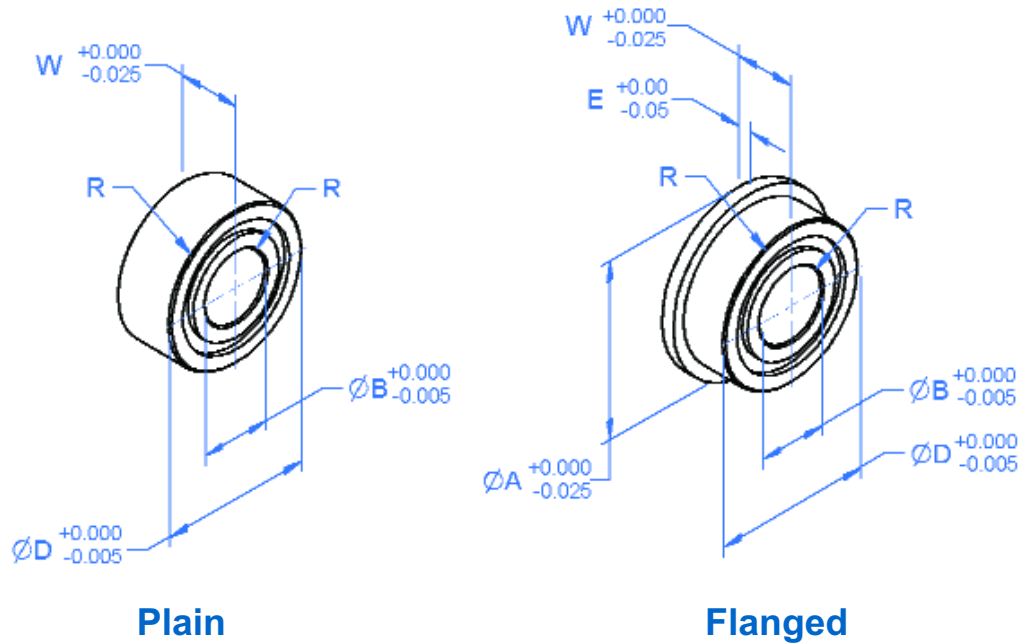
All dimensions in mm
 General Tolerances:
 $\pm 0.13\text{mm}$
 Double shielded
 Material:
 AISI 440C St steel.

Associated Products

Shafts
 Bearing pre-load washers
 Bearing spacers

Visit our online catalogue for associated products

www.rpmechatronics.co.uk



Part number selection table

Part Number		Dimensions						Specification	
Plain	Flanged	Bore dia. ØB	O/D ØD	Width W	Radii (min) R	Flange Dia. ØA	Flange width E	Load ratings, N	
								Dynamic C	Static Co
B1-102-S-7	B2-102-S-7	2	5	2.3	0.08	6.1	0.6	90	22
B1-103-S-7	B2-103-S-7	3	7	3.0	0.10	8.1	0.8	206	108
B1-104-S-7	B2-104-S-7	4	9	4.0	0.10	10.3	1.0	353	196
B1-105-S-7	B2-105-S-7	5	11	5.0	0.15	12.5	1.0	392	216
B1-106-S-7	B2-106-S-7	6	13	5.0	0.15	15.0	1.1	579	353
B1-108-S-7	B2-108-S-7	8	16	6.0	0.20	18.0	1.3	951	628
B1-110-S-7	B2-110-S-7	10	19	7.0	0.30	21.0	1.5	1020	696

- Operating temperature range, -75°C to $+120^{\circ}\text{C}$.
- Greased to Mil-G-23827A.

Non-standard options, please enquire....

- Imperial sizes.



Standard Product Sales : ☎ +44 (0)1484 601060 📠 +44 (0)1484 601061
 www.rpmechatronics.co.uk sales@rpmechatronics.co.uk

© Reliance Precision Mechatronics LLP