

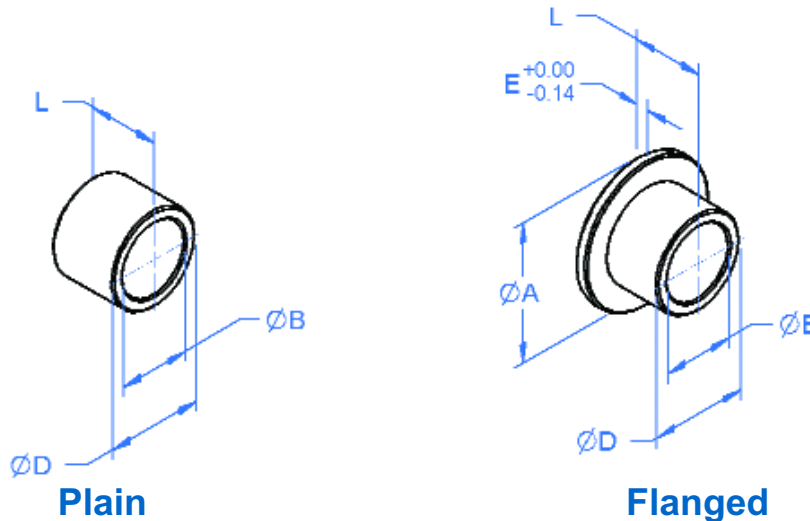


Moulded Bearings

2 - 12mm Bore

General Information

All dimensions in mm
 General Tolerances:
 $\pm 0.13\text{mm}$
 Material:
 Self lubricating
 moulded thermo-plastic.



Associated Products

Shafts
 Leadscrews
 Bearing spacers

Visit our online catalogue for associated products

www.rpmechatronics.co.uk

Part number selection table

Part Number		Bore ØB #	O/D ØD	Length L	Flange Dia. ØA	Flange Width E
Plain	Flanged					
BM8-2	-----	2.054 2.014	3.5	3.00 2.86	-----	-----
BM8-3	BM9-3	3.054 3.014	4.5	3.00 2.86	7.46 7.24	0.75
BM8-4	BM9-4	4.068 4.020	5.5	4.00 3.82	9.46 9.24	0.75
BM8-5	-----	5.040 5.010	7.0	5.00 4.82	-----	-----
-----	BM9-5	5.068 5.020	7.0	5.00 4.82	10.95 10.68	1.00
BM8-6	BM9-6	6.068 6.020	8.0	6.00 5.82	11.95 11.68	1.00
BM8-8	-----	8.083 8.025	10.0	8.00 7.78	-----	-----
-----	BM9-8	8.083 8.025	10.0	9.50 9.28	14.95 14.68	1.00
BM8-10	BM9-10	10.083 10.025	12.0	10.00 9.78	17.95 17.68	1.00
BM8-12	BM9-12	12.102 12.032	14.0	12.00 11.73	19.94 19.61	1.00

Tolerance for ØB is after press fitting into a housing bore of tolerance H7.

- Operating temperature range, -40°C to $+130^{\circ}\text{C}$.
- $(p.v)_{\text{max}} = 1.0 \text{ N/mm}^2.\text{m/s}$.
- $p_{\text{max}} = 80 \text{ N/mm}^2$.
- $v_{\text{max}} = 1.0 \text{ m/s}$ (rotational) or 4.0 m/s (linear).



Non-standard options, please enquire....

- Imperial sizes.

Standard Product Sales : ☎ +44 (0)1484 601060 📠 +44 (0)1484 601061
 www.rpmechatronics.co.uk sales@rpmechatronics.co.uk

© Reliance Precision Mechatronics LLP