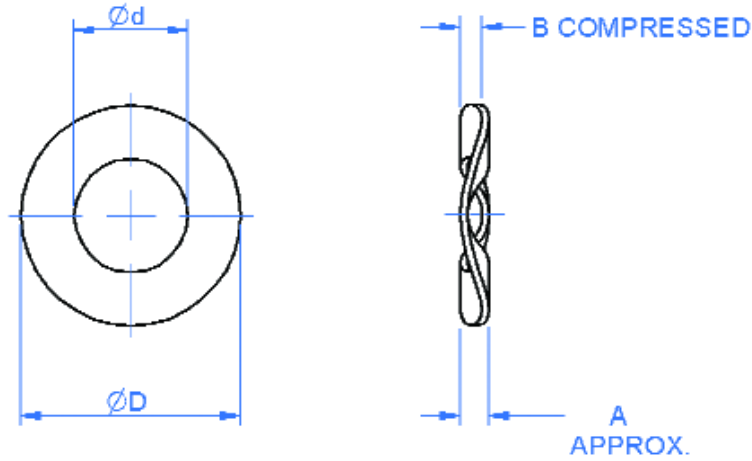


Bearing Pre-load Washers



General Information

All dimensions in mm
 General tolerances:
 ±0.13mm
 Material:
 Stainless steel 300 series.
 Treatment:
 Spring tempered.

Part number selection table

Part Number	Housing Bore (nominal)	O/D ØD	Bore Ød	Free Height A	Compressed Height B	Load in N to deflect to B
EPL-1	10	9.5	4.5	1.5	1.0	15
EPL-2	13	12.5	7.5	1.5	1.0	19
EPL-4	16	15.5	10.5	1.5	1.0	19
EPL-8	19	18.5	13.0	2.0	1.0	29
EPL-10	21	20.5	15.0	2.0	1.0	29

Associated Products

Internal circlips
 Bearings
 Visit our online catalogue for associated products

Non-standard options, please enquire....

- Imperial bearing pre-load washers.
- Available in spring steel, add **-ST** to part number eg **EPL-4-ST**.

www.rpmechatronics.co.uk