

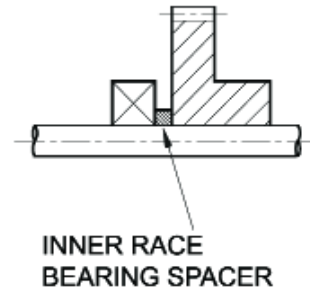
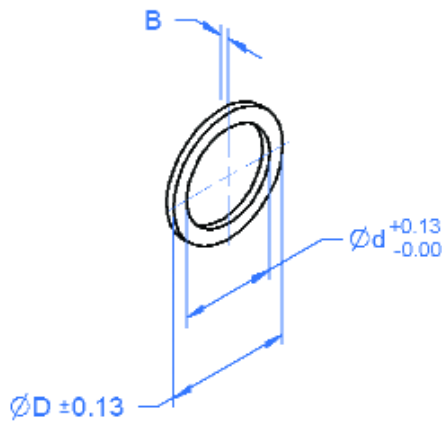


Bearing Spacers

Inner Race

General Information

All dimensions in mm
 General Tolerances:
 $\pm 0.13\text{mm}$
 Material:
 Stainless steel 300 series.



Associated Products

Shafts
 Leadscrews
 Bearings

Visit our online catalogue for associated products

Drawing dimension table

Shaft Nominal	Spacer Bore $\text{\O}d$	Spacer O/D $\text{\O}D$
2	2	3.0
3	3	4.1
4	4	5.3
5	5	6.7
6	6	7.9
8	8	10.2
10	10	12.3

Part number selection table

Nominal Shaft Dia $\text{\O}d$	Thickness B							
	± 0.025							
	0.05	0.10	0.15	0.20	0.25	0.30	0.40	0.50
2	SS1-117	SS1-118	SS1-119	SS1-120	SS1-121	SS1-122	SS1-123	SS1-124
3	SS1-125	SS1-126	SS1-127	SS1-128	SS1-129	SS1-130	SS1-131	SS1-132
4	SS1-133	SS1-101	SS1-102	SS1-134	SS1-103	SS1-135	SS1-104	SS1-136
5	SS1-137	SS1-138	SS1-139	SS1-140	SS1-141	SS1-142	SS1-143	SS1-144
6	SS1-145	SS1-105	SS1-106	SS1-146	SS1-107	SS1-147	SS1-108	SS1-148
8	SS1-149	SS1-109	SS1-110	SS1-150	SS1-111	SS1-151	SS1-112	SS1-152
10	SS1-153	SS1-113	SS1-114	SS1-154	SS1-115	SS1-155	SS1-116	SS1-156

Non-standard options, please enquire....

- Imperial sizes.

www.rpmechatronics.co.uk

Standard Product Sales : ☎ +44 (0)1484 601060 📠 +44 (0)1484 601061
 www.rpmechatronics.co.uk sales@rpmechatronics.co.uk

© Reliance Precision Mechatronics LLP