

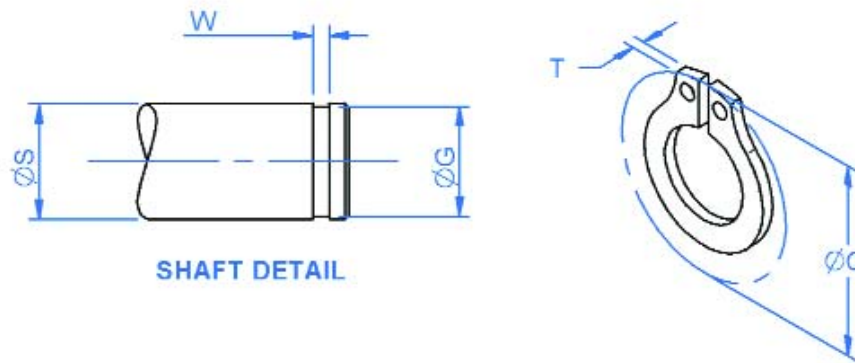


# External Circlips

To Suit 3 - 12mm Shafts

## General Information

All dimensions in mm  
 General Tolerances:  
 $\pm 0.13\text{mm}$   
 Material:  
 Stainless steel.



## Associated Products

Shafts  
 Bearings

Visit our online catalogue for associated products

www.rpmechatronics.co.uk

## Part number selection table

Example Part No:- **D1400 - 0060 - SS**

Basic Part No.	Nominal Shaft Dia (ØS)	Dia Code	Circlip		Groove		Matl.
			Thickness T	Clearance Dia (ØC)	Width W	Dia ØG	
<b>D1400</b>	3	<b>0030</b>	0.40	7.00	0.64	2.80	<b>SS</b>
			0.35		0.50	2.76	
	4	<b>0040</b>	0.40	8.60	0.64	3.80	
			0.35		0.50	3.75	
	5	<b>0050</b>	0.60	10.30	0.84	4.80	
			0.55		0.70	4.75	
	6	<b>0060</b>	0.70	11.70	0.94	5.70	
			0.65		0.80	5.65	
	8	<b>0080</b>	0.80	14.70	1.04	7.60	
			0.75		0.90	7.54	
	10	<b>0100</b>	1.00	17.00	1.24	9.60	
			0.94		1.10	9.54	
12	<b>0120</b>	1.00	19.00	1.24	11.50		
		0.94		1.10	11.39		

- Used to axially secure components such as bearings on shafts.

Non-standard options, please enquire....

- Imperial sizes.
- Alternative materials.

Standard Product Sales : ☎ +44 (0)1484 601060 📠 +44 (0)1484 601061  
 www.rpmechatronics.co.uk sales@rpmechatronics.co.uk

© Reliance Precision Mechatronics LLP