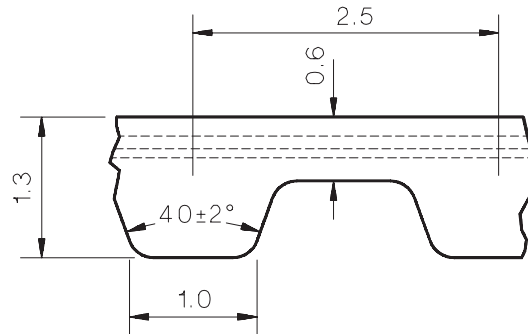




METRIC

2.5 mm pitch

All dimensions in mm
 General tolerances +/- 0.13mm
 Material: High tensile steel reinforced polyurethane
 Width: 6mm



- Temperature range: -30°C to +80°C
 - Maximum allowable peripheral load:
 6mm wide = 65 N (14 lbs)
 10mm wide = 117N (26 lbs)
 - Maximum peripheral speed: 80 m/s
 - Belt width tolerance +/-0.3mm
- Additional options - please enquire**
- coloured
 - with kevlar tension members
 - anti-static
 - special polyurethanes
 - double sided belt

Operates with TXM25 series timing pulleys (page 3).

Part Number Selection Table					
Example Part No. - TXM25 F6- 168					
Basic Part Number	Belt Width	Length availability			
		No. of pitches	Length mm	No. of pitches	Length mm
TXM25	6mm F6-	22	55.0	127	317.5
		48	120.0	132	330.0
		58	145.0	152	380.0
		64	160.0	168	420.0
		71	177.5	192	480.0
		72	180.0	200	500.0
		73	182.5	240	600.0
		80	200.0	248	620.0
		92	230.0	260	650.0
		98	245.0	312	780.0
		106	265.0	380	950.0
		114	285.0		
116	290.0				

For 10 mm wide timing belts, please enquire.

Standard Product Sales : ☎ +44 (0)1484 601060 📠 +44 (0)1484 601061

www.rpmechatronics.co.uk

sales@rpmechatronics.co.uk

© Reliance Precision Mechatronics LLP

Timing Pulleys

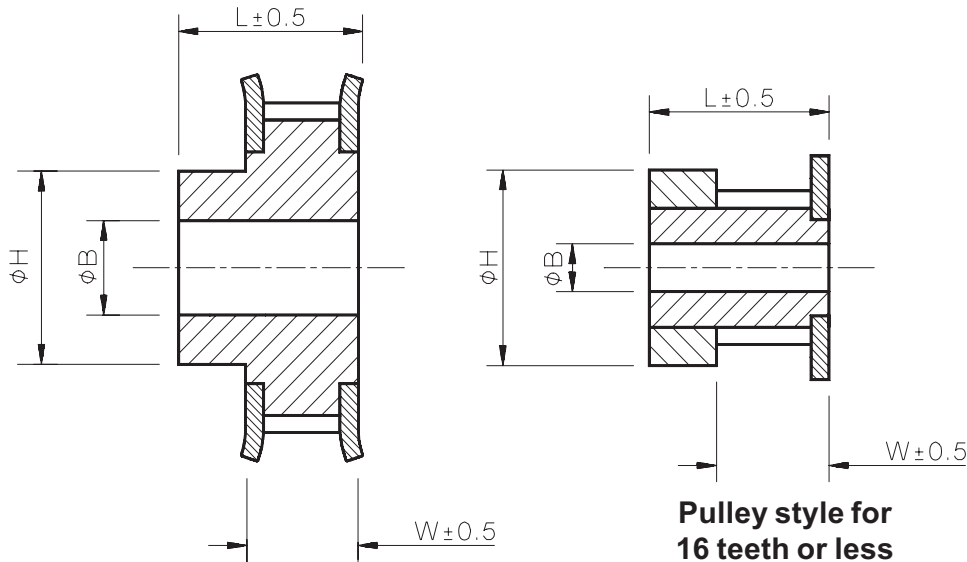
METRIC
2.5 mm pitch



Associated Products
Shafts

All dimensions in mm
General tolerances +/- 0.13mm
Material: Free machining
aluminium alloy pulley
Zinc plated steel flanges

When belt width = 6, W=10 & L=16



Operates with TXM25 series timing belts (page 2).

Part Number Selection Table						
Example Part No. - TPMP25 F6- 60						
Basic Part Number	Belt Width	No. of teeth	Pitch Diameter	Bore ϕB (H7)	Hub Diameter $\phi H \pm 1.0$	Backlash
TPMP25	6mm F6-	12	9.55	3	12	$\pm 0.08\text{mm}$
		14	11.14	3	14	
		15	11.94	3	15	
		18	14.32	4	10	
		19	15.12	4	10	
		20	15.92	4	12	
		24	19.10	4	14	$\pm 0.15\text{mm}$
		25	19.89	4	14	
		30	23.87	6	16	
		32	25.46	6	16	
		36	28.65	6	20	
		40	31.83	6	22	
		48	38.20	6	26	
		60	47.75	8	34	

Pulleys with 48 and 60 teeth are unflanged.

Additional options

- zero backlash pulleys
- 0, 1 or 2 flanges
- modified bore diameters
- other numbers of teeth
- tapped holes in hubs
- keyed bores

Standard Product Sales : ☎ +44 (0)1484 601060 📠 +44 (0)1484 601061

www.rpmechatronics.co.uk

sales@rpmechatronics.co.uk

© Reliance Precision Mechatronics LLP