

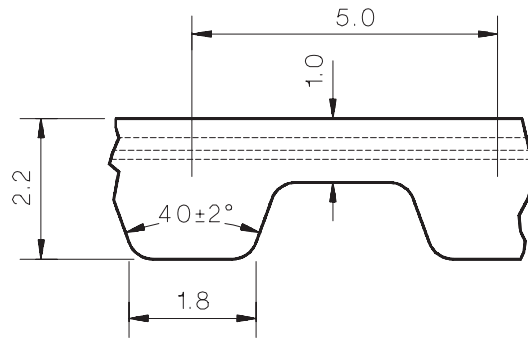


METRIC

5 mm pitch

Timing Belts

All dimensions in mm
 General tolerances +/- 0.13mm
 Material: High tensile steel reinforced polyurethane
 Width: 10mm and 16mm



- Temperature range: -30°C to +80°C
- Maximum allowable peripheral load:
 - 10mm wide = 330 N (74 lbs)
 - 16mm wide = 570 N (128lbs)
- Maximum peripheral speed: 80 m/s
- Belt width tolerance +/-0.3mm
- **Additional options - please enquire**
 - coloured
 - with kevlar tension members
 - anti-static
 - special polyurethanes
 - double sided belt

Operates with TXM50 series timing pulleys (page 5).

Part Number Selection Table							
Example Part No. TXM50 F10- 60							
Basic Part Number	Belt Width	Length availability					
		No. of pitches	Length mm	No. of pitches	Length mm	No. of pitches	Length mm
TXM50	10mm F10-	20	100.0	66	330.0	138	690.0
		30	150.0	68	340.0	140	700.0
		33	165.0	73	365.0	145	725.0
		36	180.0	80	400.0	150	750.0
		37	185.0	82	410.0	156	780.0
		40	200.0	84	420.0	163	815.0
		42	210.0	91	455.0	168	840.0
		43	215.0	96	480.0	180	900.0
	or 16mm F16-	45	225.0	100	500.0	185	925.0
		49	245.0	102	510.0	188	940.0
		50	250.0	105	525.0	198	990.0
		52	260.0	110	550.0	215	1075.0
		54	270.0	115	575.0	243	1215.0
		56	280.0	122	610.0	276	1380.0
		59	295.0	124	620.0		
					126	630.0	

Standard Product Sales : ☎ +44 (0)1484 601060 📠 +44 (0)1484 601061

www.rpmechatronics.co.uk

sales@rpmechatronics.co.uk

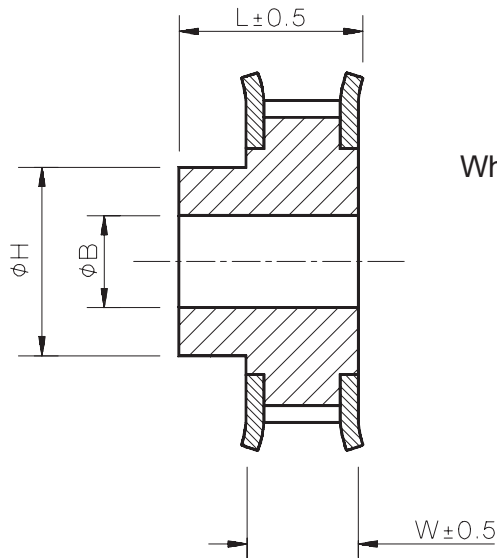
Timing Pulleys

METRIC
5 mm pitch



Associated Products
Shafts

All dimensions in mm
General tolerances +/- 0.13mm
Material: Free machining
aluminium alloy pulley
Zinc plated steel flanges



When Belt width = 10, W=15 & L=21
Belt width = 16, W=21 & L=27

Additional options

- zero backlash
- 0, 1 or 2 flanges
- with tapped holes
- keyed bores
- hubless
- any boss size/length

Operates with TXM50 series timing belts (page 4).

Part Number Selection Table						
<i>Example Part No. - TPMP50 F10- 60</i>						
Basic Part Number	Belt Width	No. of teeth	Pitch Diameter	Bore ϕB (H7)	Hub Diameter $\phi H \pm 1.0$	Backlash
TPMP50	10mm F10-	10	15.92	4	8	$\pm 0.08\text{mm}$
		12	19.10	4	12	
		14	22.28	6	14	
		15	23.87	6	16	
		16	25.46	6	18	
		18	28.65	6	20	
	or 16mm F16-	19	30.24	6	22	$\pm 0.15\text{mm}$
		20	31.83	6	24	
		24	38.20	6	26	
		25	39.79	6	26	
		27	42.97	8	30	
		30	47.75	8	34	
		32	50.93	8	38	
		36	57.30	8	38	
		40	63.66	8	40	
		48	76.39	8	50	
60	95.49	8	65			

Pulleys with 48 and 60 teeth are unflanged.

Standard Product Sales : ☎ +44 (0)1484 601060 📠 +44 (0)1484 601061

www.rpmechatronics.co.uk

sales@rpmechatronics.co.uk

© Reliance Precision Mechatronics LLP