

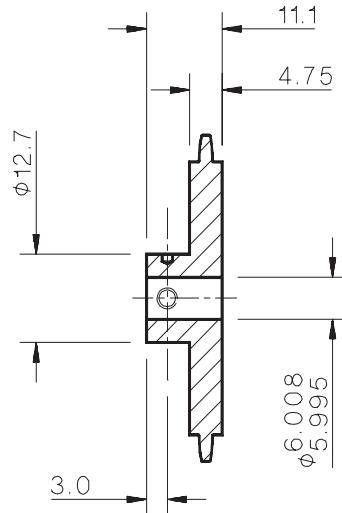
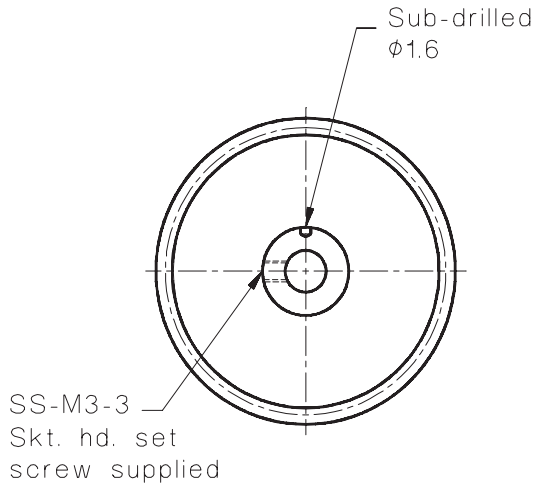


**METRIC**  
**0.15708" pitch**

**Sprockets**

All dimensions in mm  
General tolerances +/- 0.13mm

**Associated Products**  
Shafts



# Sprockets with 19mm pitch circle diameter and smaller recommended for idler use only. Operates with cable chain 3CCF series ([page 7](#)).

Part Number Selection Table				
Aluminium alloy	Stainless steel	Number of teeth	Pitch circle diameter	Outside diameter
3MP219A-12	3MP219S-12	12	15.24 #	16.79
3MP219A-14	3MP219S-14	14	17.78 #	19.33
3MP219A-15	3MP219S-15	15	19.05 #	20.57
3MP219A-16	3MP219S-16	16	20.32	21.87
3MP219A-18	3MP219S-18	18	22.86	24.38
3MP219A-20	3MP219S-20	20	25.40	26.92
3MP219A-22	3MP219S-22	22	27.94	29.46
3MP219A-25	3MP219S-25	25	31.75	33.27
3MP219A-26	3MP219S-26	26	33.02	34.54
3MP219A-28	3MP219S-28	28	35.56	37.08
3MP219A-30	3MP219S-30	30	38.10	39.62
3MP219A-32	3MP219S-32	32	40.64	42.16
3MP219A-35	3MP219S-35	35	44.45	45.95
3MP219A-36	3MP219S-36	36	45.72	47.22
3MP219A-40	3MP219S-40	40	50.80	52.30
3MP219A-45	3MP219S-45	45	57.15	58.65
3MP219A-50	3MP219S-50	50	63.50	64.97
3MP219A-55	3MP219S-55	55	69.85	71.32
3MP219A-60	3MP219S-60	60	76.20	77.67
3MP219A-65	3MP219S-65	65	82.55	84.00
3MP219A-70	3MP219S-70	70	88.90	90.35
3MP219A-75	3MP219S-75	75	95.25	96.70
3MP219A-80	3MP219S-80	80	101.60	103.02

Other numbers of teeth available on request.

Standard Product Sales : ☎ +44 (0)1484 601060 📠 +44 (0)1484 601061

[www.rpmechatronics.co.uk](http://www.rpmechatronics.co.uk)

[sales@rpmechatronics.co.uk](mailto:sales@rpmechatronics.co.uk)