

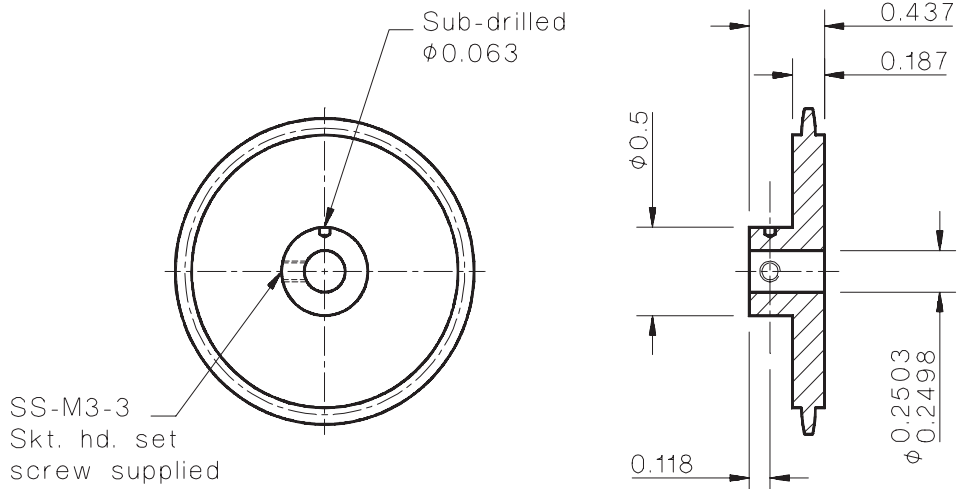
Sprockets

INCH
0.15708" pitch



Associated Products
Shafts

All dimensions in inches
General tolerances +/- 0.005"



Sprockets with 0.750" pitch circle diameter and smaller recommended for idler use only. Operates with cable chain 3CCF series ([page 7](#)).

Part Number Selection Table				
Aluminium alloy	Stainless steel	Number of teeth	Pitch circle diameter	Outside diameter
3MP28A-12	3MP28S-12	12	0.600 #	0.661
3MP28A-14	3MP28S-14	14	0.700 #	0.761
3MP28A-15	3MP28S-15	15	0.750 #	0.810
3MP28A-16	3MP28S-16	16	0.800	0.861
3MP28A-18	3MP28S-18	18	0.900	0.960
3MP28A-20	3MP28S-20	20	1.000	1.060
3MP28A-22	3MP28S-22	22	1.100	1.160
3MP28A-25	3MP28S-25	25	1.250	1.310
3MP28A-26	3MP28S-26	26	1.300	1.360
3MP28A-28	3MP28S-28	28	1.400	1.460
3MP28A-30	3MP28S-30	30	1.500	1.560
3MP28A-32	3MP28S-32	32	1.600	1.660
3MP28A-35	3MP28S-35	35	1.750	1.809
3MP28A-36	3MP28S-36	36	1.800	1.859
3MP28A-40	3MP28S-40	40	2.000	2.059
3MP28A-45	3MP28S-45	45	2.250	2.309
3MP28A-50	3MP28S-50	50	2.500	2.558
3MP28A-55	3MP28S-55	55	2.750	2.808
3MP28A-60	3MP28S-60	60	3.000	3.058
3MP28A-65	3MP28S-65	65	3.250	3.307
3MP28A-70	3MP28S-70	70	3.500	3.557
3MP28A-75	3MP28S-75	75	3.750	3.807
3MP28A-80	3MP28S-80	80	4.000	4.056

Other numbers of teeth available on request.

Standard Product Sales : ☎ +44 (0)1484 601060 📠 +44 (0)1484 601061

www.rpmechatronics.co.uk

sales@rpmechatronics.co.uk

© Reliance Precision Mechatronics LLP