



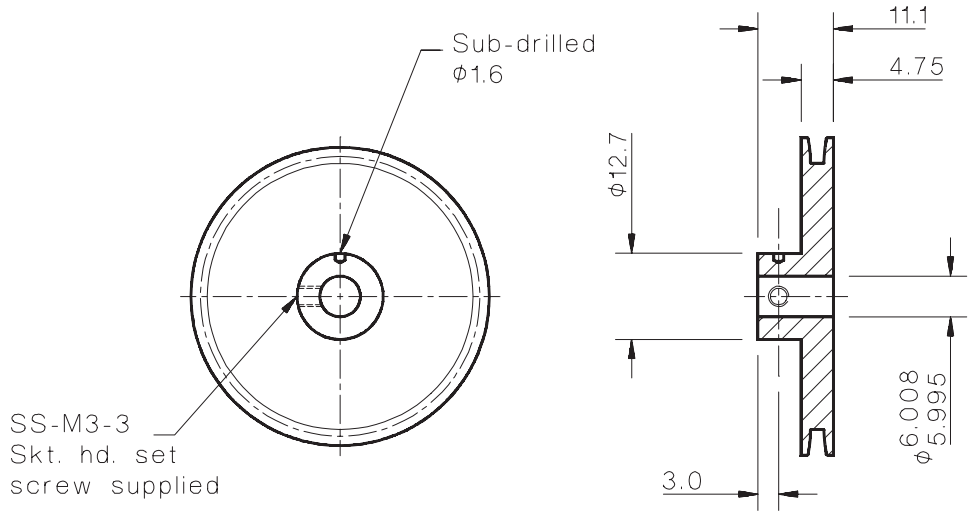
METRIC
0.15708" pitch

Sprockets

All dimensions in mm
General tolerances +/- 0.13mm

Associated Products

- Shafts
- Cable chain - single core
- Cable chain - three core



Sprockets with 19mm pitch circle diameter and smaller recommended for idler use only. Operates with cable chain 3DCF ([page 10](#)) and 3CBF ([page 11](#)) series.

Part Number Selection Table				
Aluminium alloy	Stainless steel	Number of teeth	Pitch circle diameter	Outside diameter
3MDP219A-12	3MDP219S-12	12	15.24 #	16.79
3MDP219A-14	3MDP219S-14	14	17.78 #	19.33
3MDP219A-15	3MDP219S-15	15	19.05 #	20.57
3MDP219A-16	3MDP219S-16	16	20.32	21.87
3MDP219A-18	3MDP219S-18	18	22.86	24.38
3MDP219A-20	3MDP219S-20	20	25.40	26.92
3MDP219A-22	3MDP219S-22	22	27.94	29.46
3MDP219A-25	3MDP219S-25	25	31.75	33.27
3MDP219A-26	3MDP219S-26	26	33.02	34.54
3MDP219A-28	3MDP219S-28	28	35.56	37.08
3MDP219A-30	3MDP219S-30	30	38.10	39.62
3MDP219A-32	3MDP219S-32	32	40.64	42.16
3MDP219A-35	3MDP219S-35	35	44.45	45.95
3MDP219A-36	3MDP219S-36	36	45.72	47.22
3MDP219A-40	3MDP219S-40	40	50.80	52.30
3MDP219A-45	3MDP219S-45	45	57.15	58.65
3MDP219A-50	3MDP219S-50	50	63.50	64.97
3MDP219A-55	3MDP219S-55	55	69.85	71.32
3MDP219A-60	3MDP219S-60	60	76.20	77.67
3MDP219A-65	3MDP219S-65	65	82.55	84.00
3MDP219A-70	3MDP219S-70	70	88.90	90.35
3MDP219A-75	3MDP219S-75	75	95.25	96.70
3MDP219A-80	3MDP219S-80	80	101.60	103.02

Other numbers of teeth available on request.

Standard Product Sales : ☎ +44 (0)1484 601060 📠 +44 (0)1484 601061

www.rpmechatronics.co.uk

sales@rpmechatronics.co.uk

© Reliance Precision Mechatronics LLP