

# Sprockets

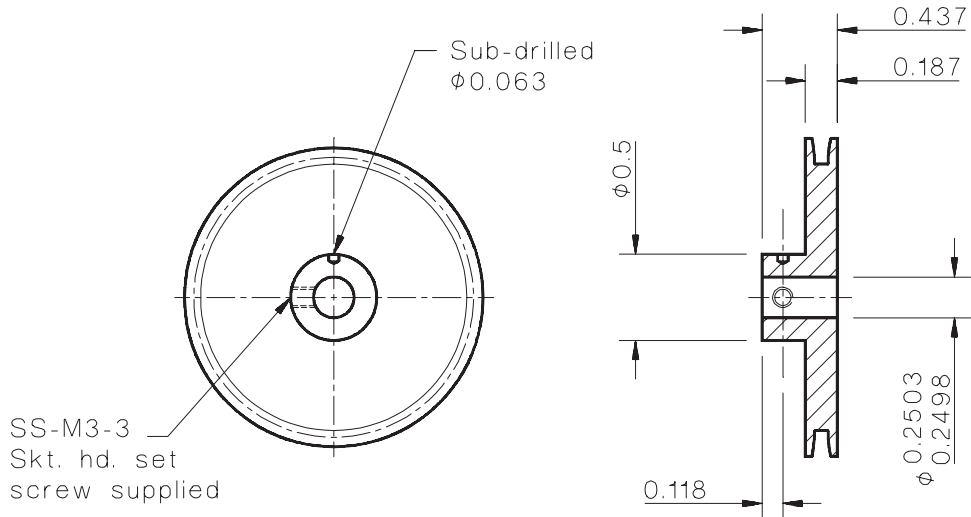
**INCH**  
**0.15708" pitch**



## Associated Products

Shafts  
Cable chain - single core  
Cable chain - three core

All dimensions in inches  
General tolerances +/- 0.005"



# Sprockets with 0.750" pitch circle diameter and smaller recommended for idler use only. Operates with cable chain 3DCF ([page 10](#)) and 3CBF ([page 11](#)) series.

Part Number Selection Table				
Aluminium alloy	Stainless steel	Number of teeth	Pitch circle diameter	Outside diameter
3MDP28A-12	3MDP28S-12	12	0.600 #	0.661
3MDP28A-14	3MDP28S-14	14	0.700 #	0.761
3MDP28A-15	3MDP28S-15	15	0.750 #	0.810
3MDP28A-16	3MDP28S-16	16	0.800	0.861
3MDP28A-18	3MDP28S-18	18	0.900	0.960
3MDP28A-20	3MDP28S-20	20	1.000	1.060
3MDP28A-22	3MDP28S-22	22	1.100	1.160
3MDP28A-25	3MDP28S-25	25	1.250	1.310
3MDP28A-26	3MDP28S-26	26	1.300	1.360
3MDP28A-28	3MDP28S-28	28	1.400	1.460
3MDP28A-30	3MDP28S-30	30	1.500	1.560
3MDP28A-32	3MDP28S-32	32	1.600	1.660
3MDP28A-35	3MDP28S-35	35	1.750	1.809
3MDP28A-36	3MDP28S-36	36	1.800	1.859
3MDP28A-40	3MDP28S-40	40	2.000	2.059
3MDP28A-45	3MDP28S-45	45	2.250	2.309
3MDP28A-50	3MDP28S-50	50	2.500	2.558
3MDP28A-55	3MDP28S-55	55	2.750	2.808
3MDP28A-60	3MDP28S-60	60	3.000	3.058
3MDP28A-65	3MDP28S-65	65	3.250	3.307
3MDP28A-70	3MDP28S-70	70	3.500	3.557
3MDP28A-75	3MDP28S-75	75	3.750	3.807
3MDP28A-80	3MDP28S-80	80	4.000	4.056

Other numbers of teeth available on request.

Standard Product Sales : ☎ +44 (0)1484 601060 📠 +44 (0)1484 601061

[www.rpmechatronics.co.uk](http://www.rpmechatronics.co.uk)

[sales@rpmechatronics.co.uk](mailto:sales@rpmechatronics.co.uk)

© Reliance Precision Mechatronics LLP