



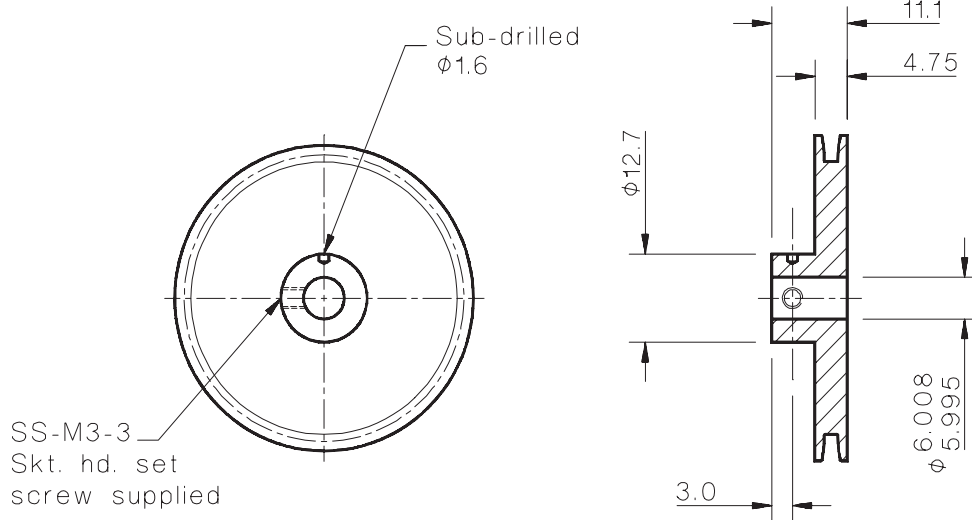
METRIC 0.0982" pitch

All dimensions in mm
General tolerances +/- 0.13mm

Sprockets

Associated Products

- Shafts
- Belts - standard
- Belts - super flexible



Sprockets with 19mm pitch circle diameter and smaller recommended for idler use only when used with 32GBF series belts. Operates with cable chain 32GBF ([page 14](#)) and 33GBF ([page 15](#)) series .

Part Number Selection Table				
Aluminium alloy	Stainless steel	Number of teeth	Pitch circle diameter	Outside diameter
32DP219A-16	32DP219S-16	16	12.70 #	14.27
32DP219A-18	32DP219S-18	18	14.29 #	15.88
32DP219A-20	32DP219S-20	20	15.87 #	17.45
32DP219A-22	32DP219S-22	22	17.46 #	19.05
32DP219A-24	32DP219S-24	24	19.05 #	20.62
32DP219A-26	32DP219S-26	26	20.64	22.23
32DP219A-28	32DP219S-28	28	22.22	23.80
32DP219A-30	32DP219S-30	30	23.81	25.40
32DP219A-32	32DP219S-32	32	25.40	26.97
32DP219A-36	32DP219S-36	36	28.57	30.15
32DP219A-40	32DP219S-40	40	31.75	33.32
32DP219A-48	32DP219S-48	48	38.10	39.67
32DP219A-56	32DP219S-56	56	44.45	46.02
32DP219A-64	32DP219S-64	64	50.80	52.37
32DP219A-72	32DP219S-72	72	57.15	58.73
32DP219A-80	32DP219S-80	80	63.50	65.07
32DP219A-88	32DP219S-88	88	69.85	71.42
32DP219A-96	32DP219S-96	96	76.20	77.77
32DP219A-112	32DP219S-112	112	88.90	90.47
32DP219A-128	32DP219S-128	128	101.60	103.17

Other numbers of teeth available on request.

Standard Product Sales : ☎ +44 (0)1484 601060 📠 +44 (0)1484 601061