

# Sprockets

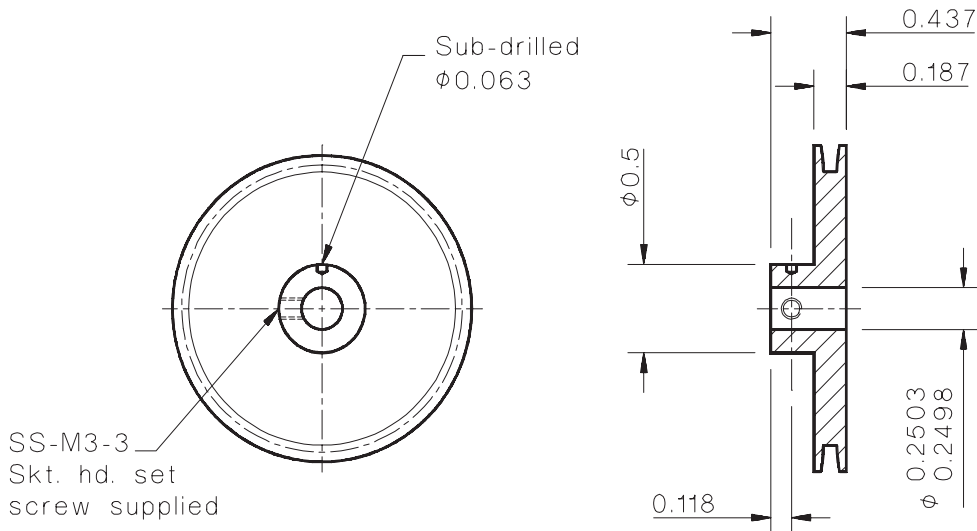
**INCH**  
**0.0982" pitch**



## Associated Products

- Shafts
- Belts - standard
- Belts - super flexible

All dimensions in inches  
General tolerances +/- 0.005"



# Sprockets with 0.750" pitch circle diameter and smaller recommended for idler use only when used with 32GBF series belts. Operates with cable chain 32GBF ([page 14](#)) and 33GBF ([page 15](#)) series.

Part Number Selection Table				
Aluminium alloy	Stainless steel	Number of teeth	Pitch circle diameter	Outside diameter
32DP28A-16	32DP28S-16	16	0.500 #	0.562
32DP28A-18	32DP28S-18	18	0.562 #	0.625
32DP28A-20	32DP28S-20	20	0.625 #	0.687
32DP28A-22	32DP28S-22	22	0.687 #	0.750
32DP28A-24	32DP28S-24	24	0.750 #	0.812
32DP28A-26	32DP28S-26	26	0.812	0.875
32DP28A-28	32DP28S-28	28	0.875	0.937
32DP28A-30	32DP28S-30	30	0.937	1.000
32DP28A-32	32DP28S-32	32	1.000	1.062
32DP28A-36	32DP28S-36	36	1.125	1.187
32DP28A-40	32DP28S-40	40	1.250	1.312
32DP28A-48	32DP28S-48	48	1.500	1.562
32DP28A-56	32DP28S-56	56	1.750	1.812
32DP28A-64	32DP28S-64	64	2.000	2.062
32DP28A-72	32DP28S-72	72	2.250	2.312
32DP28A-80	32DP28S-80	80	2.500	2.562
32DP28A-88	32DP28S-88	88	2.750	2.812
32DP28A-96	32DP28S-96	96	3.000	3.062
32DP28A-112	32DP28S-112	112	3.500	3.562
32DP28A-128	32DP28S-128	128	4.000	4.062

Other numbers of teeth available on request.

Standard Product Sales : ☎ +44 (0)1484 601060 📠 +44 (0)1484 601061

[www.rpmechatronics.co.uk](http://www.rpmechatronics.co.uk)

[sales@rpmechatronics.co.uk](mailto:sales@rpmechatronics.co.uk)

© Reliance Precision Mechatronics LLP