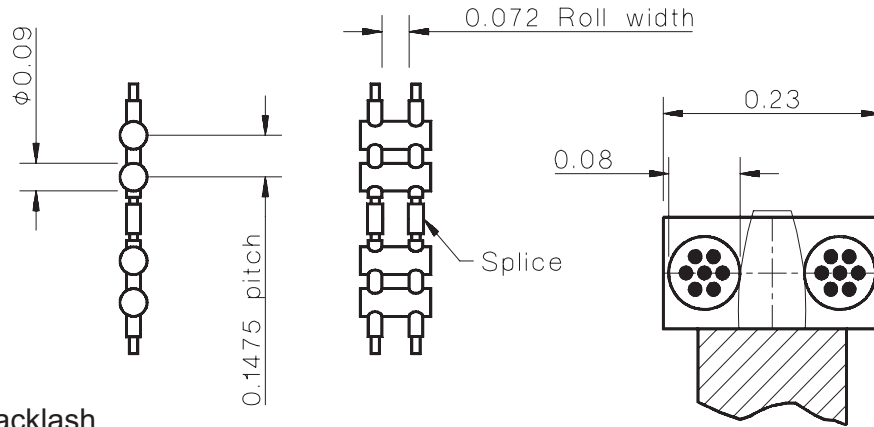




INCH 0.1475" pitch

Cable Chain

All dimensions in inches
 General tolerances +/- 0.010"
 Material: Stainless steel
 reinforced polyurethane



- Minimum backlash
- Silent chain
- No lubrication required
- Not suitable for reverse bending applications
- Weight: 13.9 N (0.15 oz/ft)
- Temperature range: -50°C to + 80°C
- Max load per pin: 1.8 N (0.4lbs)
- Max operating tensile strength: 133 N (30lbs)

Part Number	No. of pitches	Length inches
14CCF-40-E	40	5.900
14CCF-50-E	50	7.375
14CCF-60-E	60	8.850
14CCF-70-E	70	10.325
14CCF-80-E	80	11.800
14CCF-90-E	90	13.275
14CCF-100-E	100	14.750
14CCF-110-E	110	16.225
14CCF-120-E	120	17.700
14CCF-130-E	130	19.175
14CCF-140-E	140	20.650
14CCF-150-E	150	22.125
14CCF-160-E	160	23.600
14CCF-170-E	170	25.075
14CCF-180-E	180	26.550
14CCF-190-E	190	28.025
14CCF-200-E	200	29.500
14CCF-210-E	210	30.975

Part Number	No. of pitches	Length inches
14CCF-220-E	220	32.450
14CCF-230-E	230	33.925
14CCF-240-E	240	35.400
14CCF-250-E	250	36.875
14CCF-260-E	260	38.350
14CCF-270-E	270	39.825
14CCF-280-E	280	41.300
14CCF-290-E	290	42.775
14CCF-300-E	300	44.250
14CCF-310-E	310	45.725
14CCF-320-E	320	47.200
14CCF-330-E	330	48.675
14CCF-340-E	340	50.150
14CCF-350-E	350	51.625
14CCF-360-E	360	53.100
14CCF-370-E	370	54.575
14CCF-380-E	380	56.050
14CCF-390-E	390	57.525

May be purchased in open lengths of up to 100 feet.

Example part number: **14CCF-50FT**

Standard Product Sales : ☎ +44 (0)1484 601060 📠 +44 (0)1484 601061

www.rpmechatronics.co.uk

sales@rpmechatronics.co.uk

© Reliance Precision Mechatronics LLP