

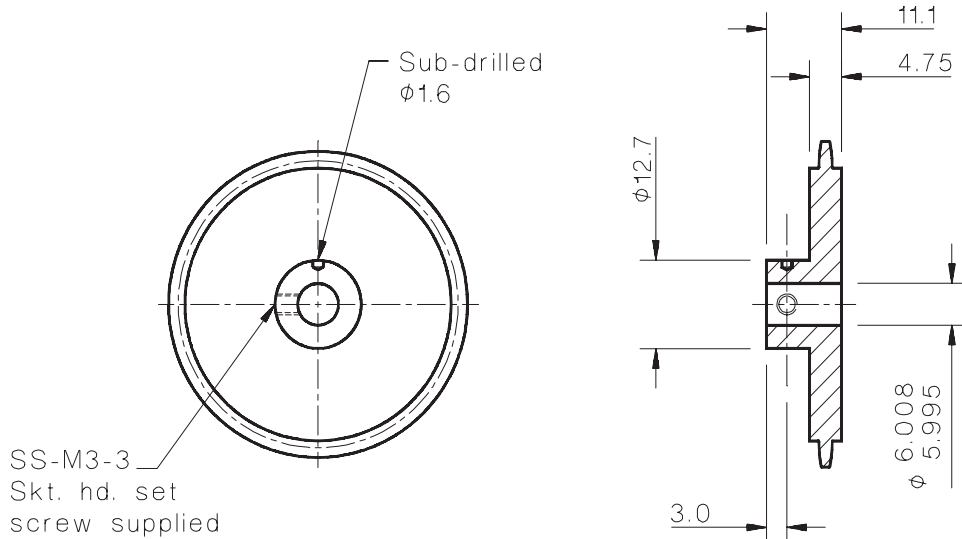
Sprockets

METRIC
0.1475" pitch



Associated Products
Shafts

All dimensions in mm
General tolerances +/- 0.13mm



Operates with cable chain 14CCF series (page : 18).

Part Number Selection Table				
Aluminium alloy	Stainless steel	Number of teeth	Pitch circle diameter	Outside diameter
14LC219A-16	14LC219S-16	16	19.08	21.11
14LC219A-17	14LC219S-17	17	20.27	22.30
14LC219A-18	14LC219S-18	18	21.47	23.50
14LC219A-19	14LC219S-19	19	22.66	24.69
14LC219A-20	14LC219S-20	20	23.85	25.88
14LC219A-22	14LC219S-22	22	26.24	28.24
14LC219A-24	14LC219S-24	24	28.62	30.63
14LC219A-26	14LC219S-26	26	31.01	33.02
14LC219A-28	14LC219S-28	28	33.39	35.41
14LC219A-30	14LC219S-30	30	35.78	37.80
14LC219A-32	14LC219S-32	32	38.16	40.18
14LC219A-34	14LC219S-34	34	40.55	42.57
14LC219A-36	14LC219S-36	36	42.93	44.96
14LC219A-38	14LC219S-38	38	45.32	47.35
14LC219A-40	14LC219S-40	40	47.70	49.73
14LC219A-42	14LC219S-42	42	50.09	52.10
14LC219A-44	14LC219S-44	44	52.47	54.48

Other numbers of teeth available on request.

Standard Product Sales : ☎ +44 (0)1484 601060 📠 +44 (0)1484 601061

www.rpmechatronics.co.uk

sales@rpmechatronics.co.uk

© Reliance Precision Mechatronics LLP