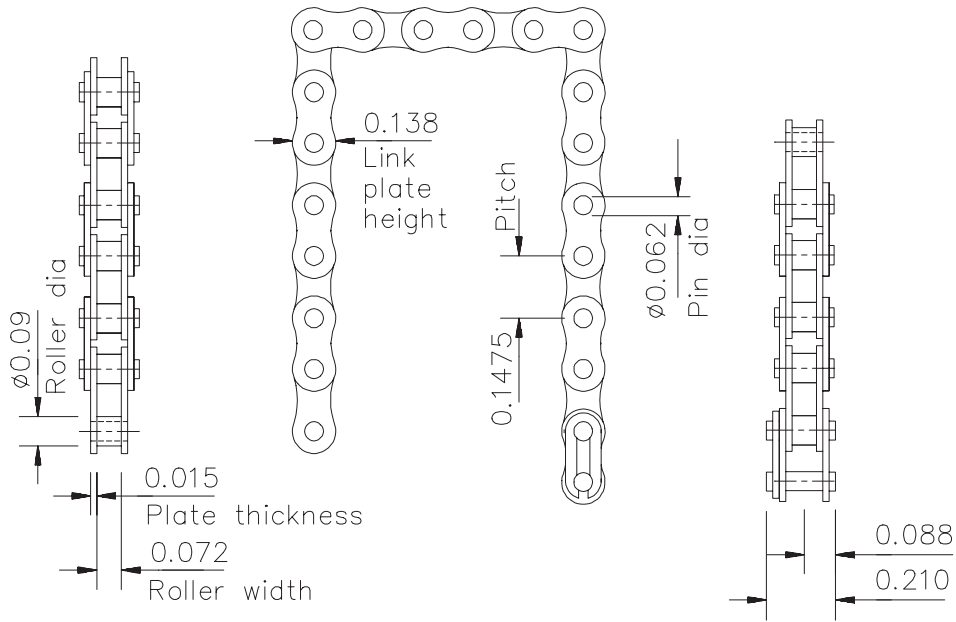




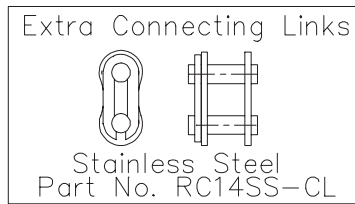
INCH 0.1475" pitch

Link Chain

All dimensions in inches
General tolerances +/- 0.005"
Material: Stainless steel



- Rollerless - must be lubricated
- Connector link supplied with each chain
- Special lengths available on request
- Weight: 52.1 N (0.56 oz/ft)
- Temperature range: -18°C to + 316°C
- Max recommended operating load: 89 N (20lbs)



Part Number	No. of links	Length inches
RC14SS-40-E	40	5.900
RC14SS-50-E	50	7.375
RC14SS-60-E	60	8.850
RC14SS-70-E	70	10.325
RC14SS-80-E	80	11.800
RC14SS-90-E	90	13.275
RC14SS-100-E	100	14.750
RC14SS-110-E	110	16.225
RC14SS-120-E	120	17.700
RC14SS-130-E	130	19.175
RC14SS-140-E	140	20.650
RC14SS-150-E	150	22.125
RC14SS-160-E	160	23.600
RC14SS-170-E	170	25.075
RC14SS-180-E	180	26.550
RC14SS-190-E	190	28.025
RC14SS-200-E	200	29.500
RC14SS-210-E	210	30.975

Part Number	No. of links	Length inches
RC14SS-220-E	220	32.450
RC14SS-230-E	230	33.925
RC14SS-240-E	240	35.400
RC14SS-250-E	250	36.875
RC14SS-260-E	260	38.350
RC14SS-270-E	270	39.825
RC14SS-280-E	280	41.300
RC14SS-290-E	290	42.775
RC14SS-300-E	300	44.250
RC14SS-310-E	310	45.725
RC14SS-320-E	320	47.200
RC14SS-330-E	330	48.675
RC14SS-340-E	340	50.150
RC14SS-350-E	350	51.625
RC14SS-360-E	360	53.100
RC14SS-370-E	370	54.575
RC14SS-380-E	380	56.050
RC14SS-390-E	390	57.525

Standard Product Sales : ☎ +44 (0)1484 601060 📠 +44 (0)1484 601061

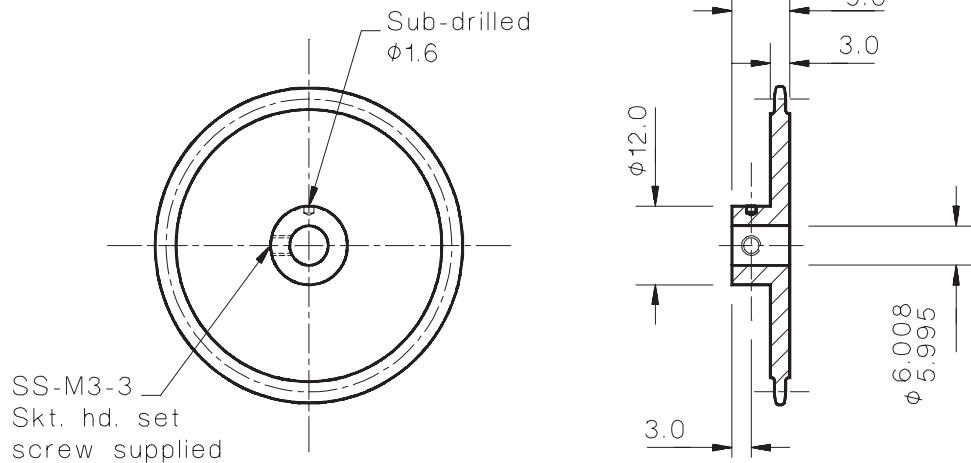
Sprockets

METRIC
0.1475" pitch



Associated Products
Shafts

All dimensions in mm
General tolerances +/- 0.13mm



Operates with 0.1475" pitch link chain (page 20).

Part Number Selection Table				
Aluminium alloy	Stainless steel	Number of teeth	Pitch circle diameter	Outside diameter
14EM205A-13	14EM205S-13	13	15.65	16.97
14EM205A-14	14EM205S-14	14	16.84	18.14
14EM205A-15	14EM205S-15	15	18.02	19.33
14EM205A-16	14EM205S-16	16	19.20	20.52
14EM205A-18	14EM205S-18	18	21.57	22.89
14EM205A-20	14EM205S-20	20	23.95	25.25
14EM205A-21	14EM205S-21	21	25.14	26.44
14EM205A-22	14EM205S-22	22	26.32	27.64
14EM205A-24	14EM205S-24	24	28.70	30.02
14EM205A-25	14EM205S-25	25	29.89	31.19
14EM205A-26	14EM205S-26	26	31.08	32.39
14EM205A-28	14EM205S-28	28	33.46	34.77
14EM205A-30	14EM205S-30	30	35.84	37.16
14EM205A-32	14EM205S-32	32	38.22	39.52
14EM205A-33	14EM205S-33	33	39.41	40.72
14EM205A-34	14EM205S-34	34	40.60	41.91
14EM205A-35	14EM205S-35	35	41.80	43.10
14EM205A-40	14EM205S-40	40	47.75	49.07
14EM205A-42	14EM205S-42	42	50.13	51.44

Other numbers of teeth available on request.

Standard Product Sales : ☎ +44 (0)1484 601060 📠 +44 (0)1484 601061

www.rpmechatronics.co.uk

sales@rpmechatronics.co.uk

© Reliance Precision Mechatronics LLP