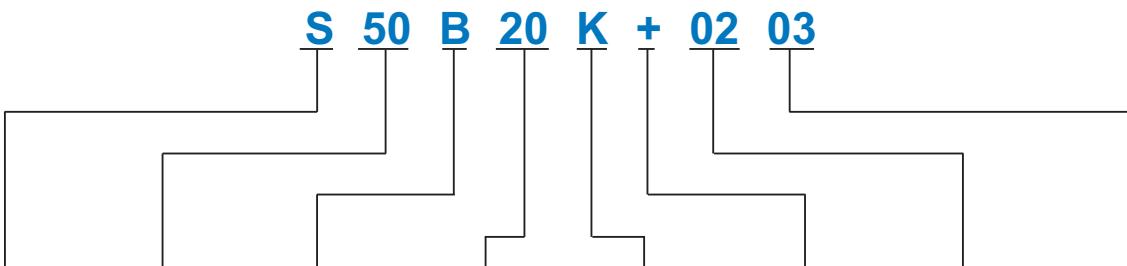


Brass gears, ideal for lightly loaded applications, a very economic balance of accuracy and load capacity against cost.

4

**S 50 B 20 K + 02 03**



Gear Type	Module	Material	Number of Teeth	Shaft Types	Bore Types	Facewidth	Bore Diameter
Spur Gear	0.3 0.5 0.75	Brass	8-120	A - Hubless with bore B - Bore with hub on one side K - Pinion	-: Gear shaft with bore +: Gear shaft with bore and threaded hole, set screw not supplied	2 3 4 8 10	2 3 5 6 8 12 15

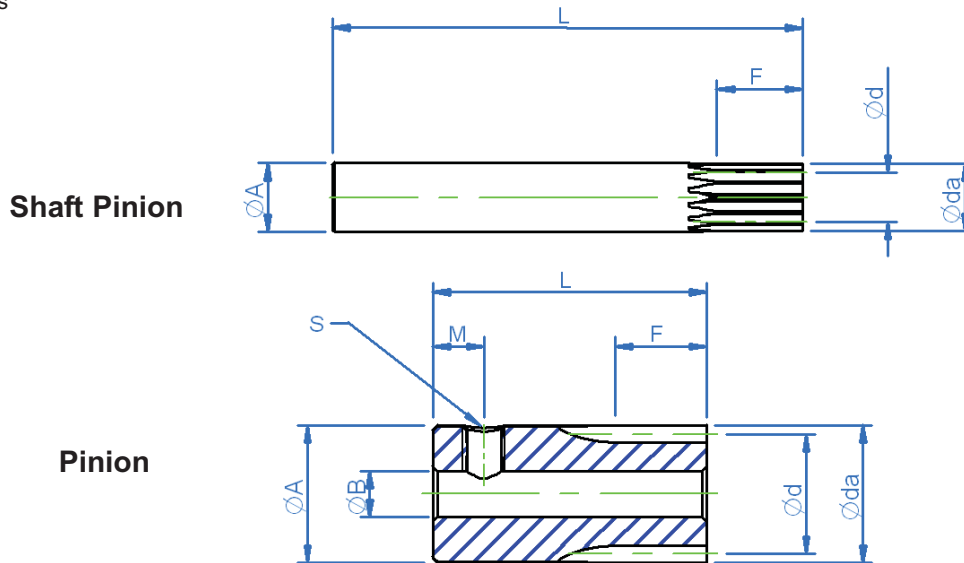
### Brass gears

1. Modules 0.3 to 0.75 available.
2. Manufactured from brass (ISO CuZn38Pb2, CuZn39Pb3).
3. Standard gear accuracy : ISO 9 - 10

### Associated Online Products

Set screws  
Shafts  
Bearings

All dimensions in mm  
Pressure angle 20°



### Part number selection table

set screw not supplied

4

Part Number	Module	Number of Teeth	PCD Ød	OD Øda	Bore Dia (H8) ØB	Hub Dia ØA	Face Width F	Overall Length L	Set Screw	
									S	M
<b>S30B14K+0402</b>	0.3	14	4.2	4.8	2	5.0	4	12	M1.6	2.5
<b>S30B15K+0402</b>		15	4.5	5.1	2	5.5	4	12	M1.6	2.5
<b>S30B16K+0402</b>		16	4.8	5.4	2	5.5	4	12	M1.6	2.5
<b>S30B18K+0402</b>		18	5.4	6.0	2	6.0	4	12	M2	2.5
<b>S50B10K-1006</b>	0.5	10	5.0	6.0	-	6.0	10	55	-	-
<b>S50B12K-1007</b>		12	6.0	7.0	-	7.0	10	55	-	-
<b>S50B14K-1008</b>		14	7.0	8.0	-	8.0	10	55	-	-
<b>S50B15K+0803</b>		15	7.5	8.5	3	9.0	8	18	M3	3.0
<b>S50B16K+0803</b>		16	8.0	9.0	3	9.0	8	18	M3	3.0
<b>S50B18K+0803</b>		18	9.0	10.0	3	10.0	8	18	M3	3.0
<b>S50B20K+0803</b>		20	10.0	11.0	3	11.0	8	18	M3	3.0
<b>S75B10K-0809</b>	0.75	10	7.5	9.0	-	9.0	8	55	-	-
<b>S75B12K-0811</b>		12	9.0	10.5	-	11.0	8	55	-	-
<b>S75B14K+0805</b>		14	10.5	12.0	5	12.0	8	20	M3	3.0
<b>S75B15K+0805</b>		15	11.25	12.75	5	12.75	8	20	M3	3.0
<b>S75B16K+0805</b>		16	12.0	13.5	5	13.5	8	20	M3	3.0
<b>S75B18K+0805</b>		18	13.5	15.0	5	15.0	8	20	M3	3.0
<b>S75B20K+0805</b>		20	15.0	16.5	5	16.5	8	20	M3	3.0

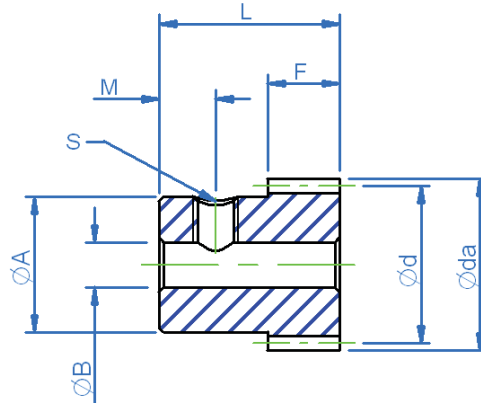
- in part number denotes shaft pinion type

- Material : Brass (ISO CuZn39Pb3)
- Gear accuracy : ISO 9 - 10
- For transmission capacity - see [page 118](#)

Small quantities of selected items available ex-stock, please visit our online store  
[www.rpmechatronics.co.uk](http://www.rpmechatronics.co.uk)

All dimensions in mm  
Pressure angle 20°

Associated Online Products  
Shafts  
Bearings



## 4

### Part number selection table

set screw not supplied

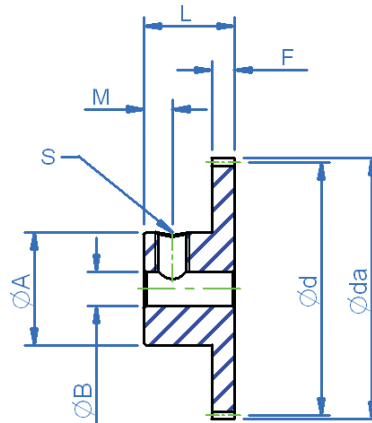
Part Number	Number of Teeth	PCD Ød	OD Øda	Bore Dia (H8) ØB	Hub Dia ØA	Face Width F	Overall Length L	Set Screw	
								S	M
<a href="#">S30B20B+0302</a>	20	6.0	6.6	2	5	3.2	8	M1.6	2.5
<a href="#">S30B24B+0302</a>	24	7.2	7.8	2	6	3.2		M2	2.5
<a href="#">S30B25B+0302</a>	25	7.5	8.1	2	6	3.2		M2	2.5
<a href="#">S30B28B+0302</a>	28	8.4	9.0	2	7	3.2		M2	2.5
<a href="#">S30B30B+0302</a>	30	9.0	9.6	2	8	3.2		M2	2.5
<a href="#">S30B32B+0202</a>	32	9.6	10.2	2	8	2.0		M2	3.0
<a href="#">S30B35B+0202</a>	35	10.5	11.1	2	8	2.0		M2	3.0
<a href="#">S30B36B+0203</a>	36	10.8	11.4	3	9	2.0		M3	3.0
<a href="#">S30B40B+0203</a>	40	12.0	12.6	3	10	2.0		M3	3.0
<a href="#">S30B45B+0203</a>	45	13.5	14.1	3	10	2.0		M3	3.0
<a href="#">S30B48B+0203</a>	48	14.4	15.0	3	10	2.0		M3	3.0

- Material : Brass (ISO CuZn39Pb3)
- Gear accuracy : ISO 9 - 10
- For transmission capacity - see [page 118](#)

Small quantities of selected items available ex-stock, please visit our online store  
[www.rpmechatronics.co.uk](http://www.rpmechatronics.co.uk)

Associated Online Products  
Shafts  
Bearings

All dimensions in mm  
Pressure angle 20°



### Part number selection table

set screw not supplied

4

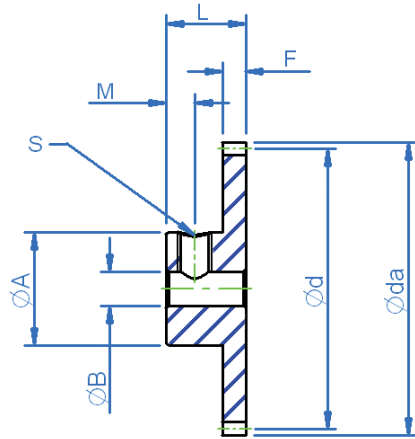
Part Number	Number of Teeth	PCD Ød	OD Øda	Bore Dia (H8) ØB	Hub Dia ØA	Face Width F	Overall Length L	Set Screw	
								S	M
<a href="#">S30B50B+0203</a>	50	15.0	15.6	3	10	2	8	M3	3
<a href="#">S30B56B+0203</a>	56	16.8	17.4						
<a href="#">S30B60B+0203</a>	60	18.0	18.6						
<a href="#">S30B64B+0203</a>	64	19.2	19.8						
<a href="#">S30B66B+0203</a>	66	19.8	20.4						
<a href="#">S30B70B+0203</a>	70	21.0	21.6						
<a href="#">S30B72B+0203</a>	72	21.6	22.2						
<a href="#">S30B75B+0203</a>	75	22.5	23.1						
<a href="#">S30B80B+0203</a>	80	24.0	24.6						
<a href="#">S30B90B+0203</a>	90	27.0	27.6						
<a href="#">S30B96B+0203</a>	96	28.8	29.4						
<a href="#">S30B100B+0203</a>	100	30.0	30.6						
<a href="#">S30B108B+0203</a>	108	32.4	33.0						
<a href="#">S30B112B+0203</a>	112	33.6	34.2						
<a href="#">S30B120B+0203</a>	120	36.0	36.6						

- Material : Brass (ISO CuZn39Pb3)
- Gear accuracy : ISO 9 - 10
- For transmission capacity - see [page 118](#)

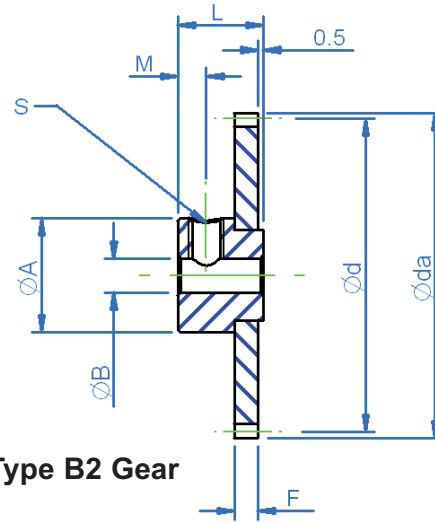
Small quantities of selected items available ex-stock, please visit our online store  
[www.rpmechatronics.co.uk](http://www.rpmechatronics.co.uk)

All dimensions in mm  
Pressure angle 20°

**Associated Online Products**  
Shafts  
Bearings  
set screws



Type B1 Gear



Type B2 Gear

## 4

### Part number selection table

set screw not supplied

Part Number	Number of Teeth	Type	PCD Ød	OD Øda	Bore Dia (H8) ØB	Hub Dia ØA	Face Width F	Overall Length L	Set Screw	
									S	M
S50B20B+0303	20	B1	10.0	11.0	3	8.2	3	8	M3	2.5
S50B24B+0303	24	B1	12.0	13.0		10.0	3	8		
S50B25B+0303	25	B1	12.5	13.5		10.0	3	8		
S50B26B+0303	26	B1	13.0	14.0		10.0	3	8		
S50B28B+0303	28	B1	14.0	15.0		10.0	3	8		
S50B30B+0303	30	B1	15.0	16.0		10.0	3	8		
S50B32B+0303	32	B1	16.0	17.0		10.0	3	8		
S50B35B+0303	35	B1	17.5	18.5		10.0	3	8		
S50B36B+0303	36	B1	18.0	19.0		10.0	3	8		
S50B40B+0203	40	B2	20.0	21.0		10.0	2	7.5		
S50B42B+0203	42	B2	21.0	22.0		10.0	2	7.5		
S50B45B+0203	45	B2	22.5	23.5		10.0	2	7.5		
S50B48B+0203	48	B2	24.0	25.0		10.0	2	7.5		
S50B50B+0203	50	B2	25.0	26.0		10.0	2	7.5		
S50B55B+0203	55	B2	27.5	28.5		10.0	2	7.5		
S50B56B+0203	56	B2	28.0	29.0		10.0	2	7.5		
S50B58B+0203	58	B2	29.0	30.0	10.0	2	7.5			
S50B60B+0203	60	B2	30.0	31.0	10.0	2	7.5			

Type B2 gears have riveted hub

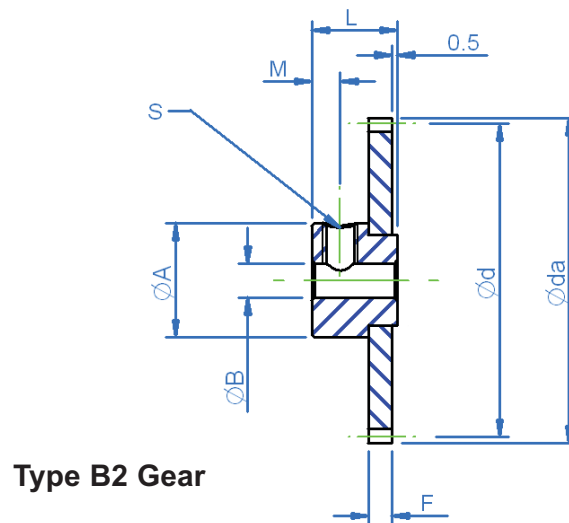
- Material : Brass (ISO CuZn38Pb2, CuZn39Pb3)
- Gear accuracy : ISO 9 - 10
- For transmission capacity - see [page 118](#)

Small quantities of selected items available ex-stock, please visit our online store  
[www.rpmechatronics.co.uk](http://www.rpmechatronics.co.uk)

### Associated Online Products

Shafts  
Bearings  
Set screws

All dimensions in mm  
Pressure angle 20°



### Part number selection table

set screw not supplied

4

Part Number	Number of Teeth	PCD Ød	OD Øda	Bore Dia (H8) ØB	Hub Dia ØA	Face Width F	Overall Length L	Set Screw	
								S	M
<a href="#">S50B62B+0203</a>	62	31.0	32.0	3	10.0	2	7.5	M3	2.5
<a href="#">S50B64B+0203</a>	64	32.0	33.0		10.0		7.5		2.5
<a href="#">S50B65B+0203</a>	65	32.5	33.5		10.0		7.5		2.5
<a href="#">S50B66B+0203</a>	66	33.0	34.0		10.0		7.5		2.5
<a href="#">S50B68B+0203</a>	68	34.0	35.0		10.0		7.5		2.5
<a href="#">S50B70B+0203</a>	70	35.0	36.0		10.0		7.5		2.5
<a href="#">S50B72B+0203</a>	72	36.0	37.0		10.0		7.5		2.5
<a href="#">S50B75B+0203</a>	75	37.5	38.5		10.0		7.5		2.5
<a href="#">S50B80B+0203</a>	80	40.0	41.0		10.0		7.5		2.5
<a href="#">S50B84B+0203</a>	84	42.0	43.0		10.0		7.5		2.5
<a href="#">S50B85B+0203</a>	85	42.5	43.5		10.0		7.5		2.5
<a href="#">S50B90B+0203</a>	90	45.0	46.0		10.0		7.5		2.5
<a href="#">S50B95B+0203</a>	95	47.5	48.5		10.0		7.5		2.5
<a href="#">S50B100B+0203</a>	100	50.0	51.0		15.0		9.5		3.5
<a href="#">S50B105B+0203</a>	105	52.5	53.5		15.0		9.5		3.5
<a href="#">S50B110B+0203</a>	110	55.0	56.0		15.0		9.5		3.5

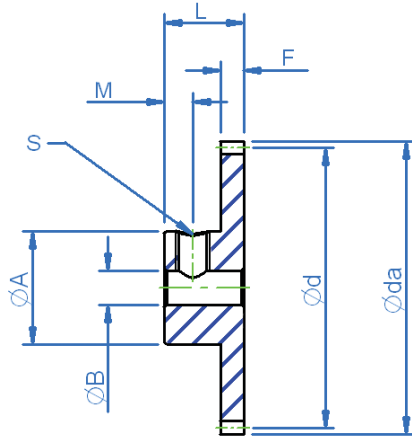
All gears on this page are type B2 with riveted hub

- Material : Brass (ISO CuZn38Pb2, CuZn39Pb3)
- Gear accuracy : ISO 9 - 10
- For transmission capacity - see [page 118](#)

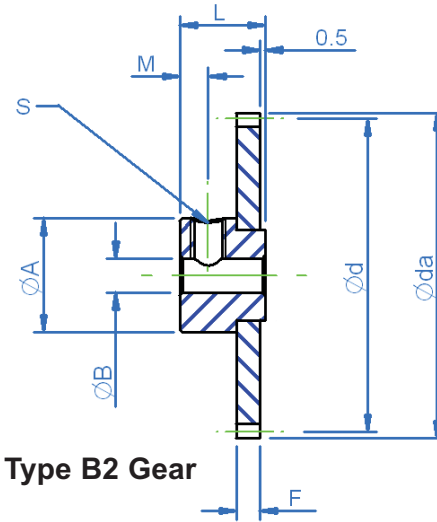
Small quantities of selected items available ex-stock, please visit our online store  
[www.rpmechatronics.co.uk](http://www.rpmechatronics.co.uk)

All dimensions in mm  
Pressure angle 20°

**Associated Online Products**  
Shafts  
Bearings  
Set screws



Type B1 Gear



Type B2 Gear

4

## Part number selection table

set screw not supplied

Part Number	Number of Teeth	Type	PCD Ød	OD Øda	Bore Dia (H8) ØB	Hub Dia ØA	Face Width F	Overall Length L	Set Screw	
									S	M
S75B16B+0305	16	B1	12.0	13.5	5	10.0	3	10.0	M3	3.5
S75B18B+0305	18	B1	13.5	15.0	5	11.0		10.0	M3	
S75B20B+0306	20	B1	15.0	16.5	6	12.0		10.0	M4	
S75B24B+0306	24	B1	18.0	19.5	6	14.0		10.0	M4	
S75B25B+0306	25	B1	18.75	20.25	6	14.0		10.0	M4	
S75B26B+0306	26	B1	19.5	21.0	6	14.0		10.0	M4	
S75B28B+0306	28	B1	21.0	22.5	6	14.0		10.0	M4	
S75B30B+0306	30	B1	22.5	24.0	6	15.0		10.0	M4	
S75B32B+0306	32	B1	24.0	25.5	6	15.0		10.0	M4	
S75B35B+0306	35	B1	26.25	27.75	6	18.0		10.0	M4	
S75B36B+0306	36	B1	27.0	28.5	6	18.0		10.0	M4	
S75B40B+0306	40	B1	30.0	31.5	6	20.0		10.0	M4	
S75B42B+0306	42	B1	31.5	33.0	6	20.0		10.0	M4	
S75B45B+0306	45	B1	33.75	35.25	6	20.0		10.0	M4	
S75B48B+0306	48	B1	36.0	37.5	6	20.0		10.0	M4	
S75B50B+0306	50	B2	37.5	39.0	6	20.0		10.5	M4	
S75B55B+0306	55	B2	41.25	42.75	6	20.0		10.5	M4	
S75B56B+0306	56	B2	42.0	43.5	6	20.0		10.5	M4	
S75B58B+0306	58	B2	43.5	45.0	6	20.0		10.5	M4	

Type B2 gears have riveted hub

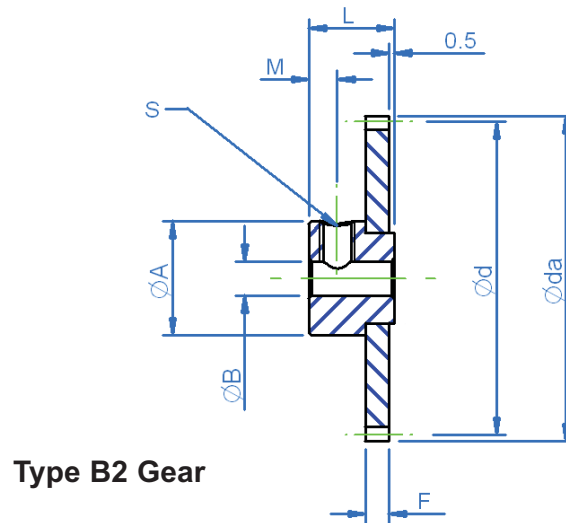
- Material : Brass (ISO CuZn38Pb2, CuZn39Pb3)
- Gear accuracy : ISO 9 - 10
- For transmission capacity - see [page 118](#)

Small quantities of selected items available ex-stock, please visit our online store  
[www.rpmechatronics.co.uk](http://www.rpmechatronics.co.uk)

### Associated Online Products

Shafts  
Bearings  
Set screws

All dimensions in mm  
Pressure angle 20°



### Part number selection table

set screw not supplied

4

Part Number	Number of Teeth	PCD Ød	OD Øda	Bore Dia (H8) ØB	Hub Dia ØA	Face Width F	Overall Length L	Set Screw	
								S	M
<a href="#">S75B60B+0306</a>	60	45.0	46.5	6	20.0	3	10.5	M4	3.5
<a href="#">S75B62B+0306</a>	62	46.5	48.0						
<a href="#">S75B64B+0306</a>	64	48.0	49.5						
<a href="#">S75B65B+0306</a>	65	48.75	50.25						
<a href="#">S75B66B+0306</a>	66	49.5	51.0						
<a href="#">S75B68B+0306</a>	68	51.0	52.5						
<a href="#">S75B70B+0306</a>	70	52.5	54.0						
<a href="#">S75B72B+0306</a>	72	54.0	55.5						
<a href="#">S75B75B+0306</a>	75	56.25	57.75						
<a href="#">S75B80B+0306</a>	80	60.0	61.5						
<a href="#">S75B84B+0306</a>	84	63.0	64.5						
<a href="#">S75B85B+0306</a>	85	63.75	65.25						
<a href="#">S75B90B+0306</a>	90	67.5	69.0						
<a href="#">S75B95B+0306</a>	95	71.25	72.75						
<a href="#">S75B100B+0306</a>	100	75.0	76.5						
<a href="#">S75B105B+0306</a>	105	78.75	80.25						
<a href="#">S75B110B+0306</a>	110	82.5	84.0						
<a href="#">S75B115B+0306</a>	115	86.25	87.75						
<a href="#">S75B120B+0306</a>	120	90.0	91.5						

All gears on this page are type B2 with riveted hub

- Material : Brass (ISO CuZn38Pb2, CuZn39Pb3)
- Gear accuracy : ISO 9 - 10
- For transmission capacity - see [page 118](#)

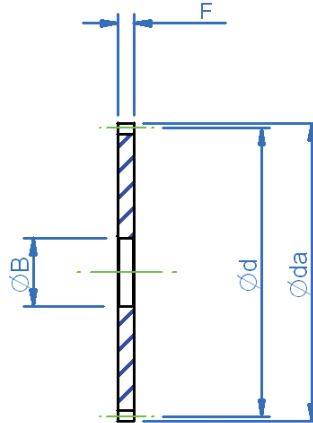
Small quantities of selected items available ex-stock, please visit our online store  
[www.rpmechatronics.co.uk](http://www.rpmechatronics.co.uk)



All dimensions in mm  
Pressure angle 20°

### Associated Online Products

- Anti-backlash gears
- Shafts
- Gear and dual hubs (clamp)
- Gear and dual hubs (pin)



## 4

### Part number selection table

Part Number	Number of Teeth	PCD Ød	OD Øda	Face Width F	Bore Dia (H8) ØB
S50B40A-0208	40	20.0	21.0	2	8
S50B42A-0208	42	21.0	22.0		
S50B45A-0208	45	22.5	23.5		
S50B48A-0208	48	24.0	25.0		
S50B50A-0208	50	25.0	26.0		
S50B55A-0208	55	27.5	28.5		
S50B56A-0208	56	28.0	29.0		
S50B58A-0208	58	29.0	30.0		
S50B60A-0208	60	30.0	31.0		
S50B62A-0208	62	31.0	32.0		
S50B64A-0208	64	32.0	33.0		
S50B65A-0208	65	32.5	33.5		
S50B66A-0208	66	33.0	34.0		

- Material : Brass (ISO CuZn38Pb2, CuZn39Pb3)
- Gear accuracy : SO 9 - 10
- For transmission capacity - see [page 118](#)

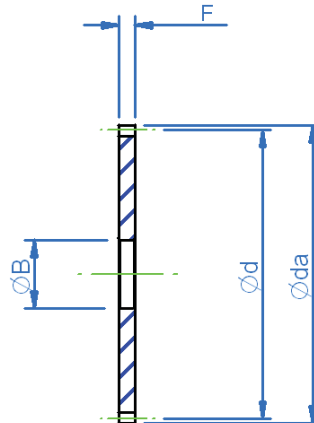
Small quantities of selected items available ex-stock, please visit our online store  
[www.rpmechatronics.co.uk](http://www.rpmechatronics.co.uk)



### Associated Online Products

- Anti-backlash gears
- Shafts
- Gear and dual hubs (clamp)
- Gear and dual hubs (pin)

All dimensions in mm  
Pressure angle 20°



### Part number selection table

4

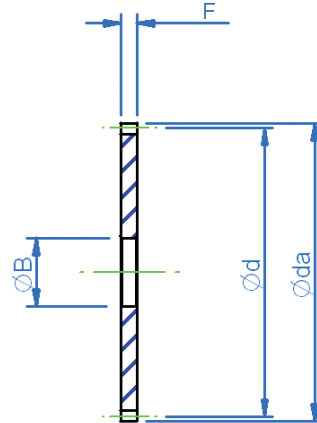
Basic Part Number	Number of Teeth	PCD Ød	OD Øda	Face Width F	Bore Dia (H8) ØB
<a href="#">S50B68A-0208</a>	68	34.0	35.0	2	8
<a href="#">S50B70A-0208</a>	70	35.0	36.0		8
<a href="#">S50B72A-0208</a>	72	36.0	37.0		8
<a href="#">S50B75A-0208</a>	75	37.5	38.5		8
<a href="#">S50B80A-0208</a>	80	40.0	41.0		8
<a href="#">S50B84A-0208</a>	84	42.0	43.0		8
<a href="#">S50B85A-0208</a>	85	42.5	43.5		8
<a href="#">S50B90A-0208</a>	90	45.0	46.0		8
<a href="#">S50B95A-0208</a>	95	47.5	48.5		8
<a href="#">S50B100A-0212</a>	100	50.0	51.0		12
<a href="#">S50B105A-0212</a>	105	52.5	53.5		12
<a href="#">S50B110A-0212</a>	110	55.0	56.0		12

- Material : Brass (ISO CuZn38Pb2, CuZn39Pb3)
- Gear accuracy : ISO 9 - 10
- For transmission capacity - see [page 118](#)

Small quantities of selected items available ex-stock, please visit our online store  
[www.rpmechatronics.co.uk](http://www.rpmechatronics.co.uk)

All dimensions in mm  
Pressure angle 20°

**Associated Online Products**  
Shafts  
Anti-backlash gears



## 4

### Part number selection table

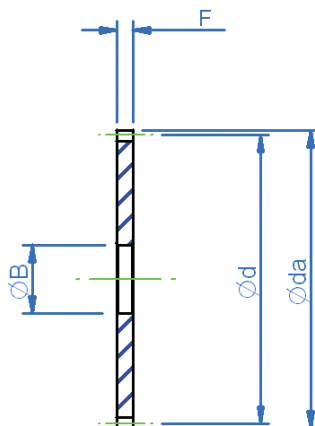
Part Number	Number of Teeth	PCD Ød	OD Øda	Face Width F	Bore Dia (H8) ØB
<a href="#">S75B50A-0315</a>	50	37.5	39.0	3	15
<a href="#">S75B55A-0315</a>	55	41.25	42.75		
<a href="#">S75B56A-0315</a>	56	42.0	43.5		
<a href="#">S75B58A-0315</a>	58	43.5	45.0		
<a href="#">S75B60A-0315</a>	60	45.0	46.5		
<a href="#">S75B62A-0315</a>	62	46.5	48.0		
<a href="#">S75B64A-0315</a>	64	48.0	49.5		
<a href="#">S75B65A-0315</a>	65	48.75	50.25		
<a href="#">S75B66A-0315</a>	66	49.5	51.0		
<a href="#">S75B68A-0315</a>	68	51.0	52.5		
<a href="#">S75B70A-0315</a>	70	52.5	54.0		
<a href="#">S75B72A-0315</a>	72	54.0	55.5		

- Material : Brass (ISO CuZn38Pb2, CuZn39Pb3)
- Gear accuracy : ISO 9 - 10
- For transmission capacity - see [page 118](#)

Small quantities of selected items available ex-stock, please visit our online store  
[www.rpmechatronics.co.uk](http://www.rpmechatronics.co.uk)

Associated Online Products  
Shafts  
Anti-backlash gears

All dimensions in mm  
Pressure angle 20°



### Part number selection table

4

Part Number	Number of Teeth	PCD Ød	OD Øda	Face Width F	Bore Dia (H8) ØB
<a href="#">S75B75A-0315</a>	75	56.25	57.75	3	15
<a href="#">S75B80A-0315</a>	80	60.0	61.5		
<a href="#">S75B84A-0315</a>	84	63.0	64.5		
<a href="#">S75B85A-0315</a>	85	63.75	65.25		
<a href="#">S75B90A-0315</a>	90	67.5	69.0		
<a href="#">S75B95A-0315</a>	95	71.25	72.75		
<a href="#">S75B100A-0315</a>	100	75.0	76.5		
<a href="#">S75B105A-0315</a>	105	78.75	80.25		
<a href="#">S75B110A-0315</a>	110	82.5	84.0		
<a href="#">S75B115A-0315</a>	115	86.25	87.75		
<a href="#">S75B120A-0315</a>	120	90.0	91.5		

- Material : Brass (ISO CuZn38Pb2, CuZn39Pb3)
- Gear accuracy : ISO 9 - 10
- For transmission capacity - see [page 118](#)

Small quantities of selected items available ex-stock, please visit our online store  
[www.rpmechatronics.co.uk](http://www.rpmechatronics.co.uk)