

RGLS - Linear Slides

Exceptional linear speed, accurate positioning, and long life in a compact assembly



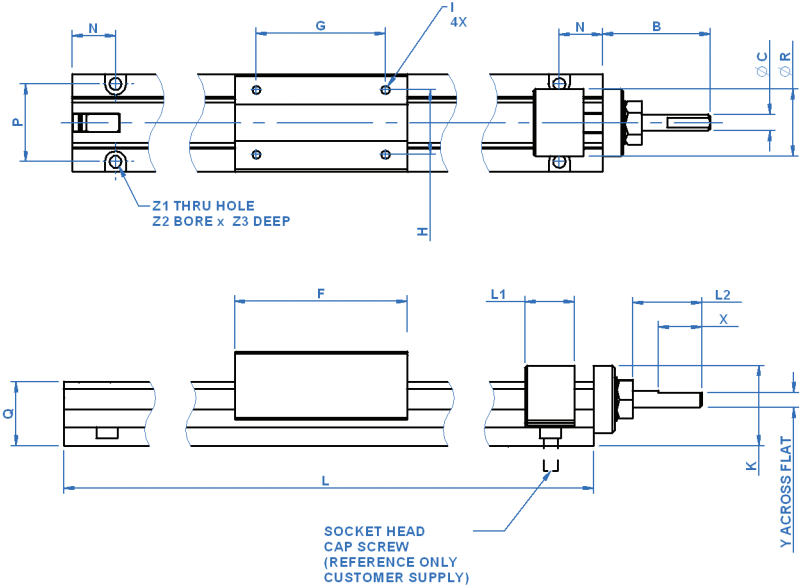
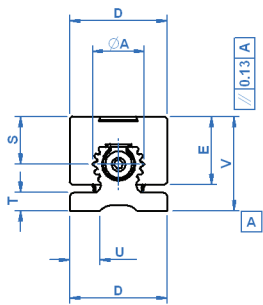
RoHS Compliant

Product Description:

- Precision aluminium guide and carriage, driven by a precision rolled stainless steel leadscrew.
- The moving surfaces include high performance proprietary polymers running on a unique TFE coating.
- Compact space saving profile whilst providing exceptional torsional stiffness and stability.
- Wear compensating anti-backlash driven carriage.
- Linear speeds up to 1.5m/sec.
- Standard leads include 2.54, 5.08, 12.7, 25.4mm (.100", .200", .500" and 1.00") travel per revolution.
- Lengths up to 2.4 metres can readily be built.
- Precision thread rolling process provides a standard lead accuracy of 0.0006mm/mm

Dimensional Tolerances	
< L4	± 0.1
4 < L ≤ 16	± 0.15
16 < L ≤ 63	± 0.2
63 < L ≤ 250	± 0.3

All dimensions in mm



Technical Specification:

Travel distance = L - L1 - F

Series	A Nominal Rail Ø mm	B mm	C mm	D mm	E mm	F mm	G mm	H mm	I	K mm	L1 mm	L2 mm	N mm
RGLS6	10.2	21.1	3.175	19.1	13.5	36	25.4	12.7	4-40 UNC 4.45 deep	15	13.5	11.9	9.5
RGLS10	15.2	31.8	4.762	28.6	20.1	51	38.1	19.1	6-32 UNC 6.35 deep	23	20.3	20.3	12.7
RGLS16	25.4	44.5	7.938	50.8	33.5	83	57.2	31.8	1/4-20 UNC 10.80 deep	41	33.0	33.0	19.1

Series	P mm	Q mm	R mm	S mm	T mm	U mm	V mm	W	X mm	Y mm	Z1 mm	Z2 mm	Z3 mm
RGLS6	15.2	12.7	13.2	9.4	3.8	5.8	18.5	4-40 UNC	9.7	2.9	2.8	5.1	2.3
RGLS10	22.9	18.8	20.3	14	5.6	8.9	27.9	6-32 UNC	12.7	4.3	3.6	6.4	3.3
RGLS16	38.1	31.8	33	23.4	9.5	16.3	46.5	1/4-20 UNC	22.4	7.1	6.6	12.7	5.6

Tel : +44 (0) 1484 601002 Fax : +44 (0) 1484 601061
 www.rpmechatronics.co.uk sales@rpmechatronics.co.uk

Standard Product Sizes:

	Series (Screw Size)																				
	RGLS6								RGLS10								RGLS16				
	Guide Length L# mm																				
Lead mm	152	203	254	305	381	457	533	610	762	254	305	381	457	610	914	254	305	381	457	610	914
2.54	★	★	★	★						★	★	★	★	★				★			
5.08	★	★	★	★						★	★	★	★	★				★			
12.7	★	★	★	★							★	★	★	★				★		★	★
25.4	★	★	★	★							★		★	★	★			★		★	★

*Length tolerance ±1mm

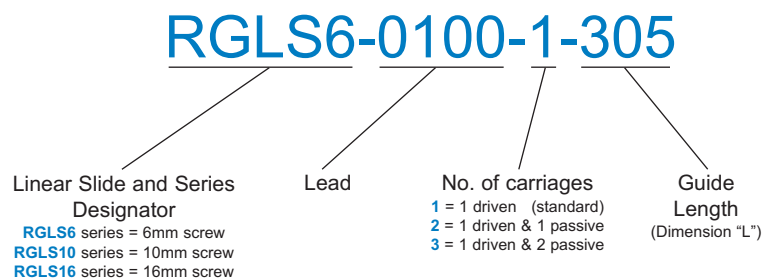
★Indicates standard available lengths

Product Performance:

Basic Part Number	Lead mm	Typical Drag Torque* Nm	Life @ 1/4 Design Load m	Torque To Move Load Nm/Kg	Design Load Kg	Screw Inertia Kgm ² /m
RGLS6-0100	2.54	0.02	254,000	0.016	7	6.5 x10 ⁻⁶
RGLS6-0200	5.08	0.03		0.023		
RGLS6-0500	12.70	0.04		0.039		
RGLS6-1000	25.40	0.04		0.070		
RGLS10-0100	2.54	0.03	254,000	0.016	16	6.5 x10 ⁻⁶
RGLS10-0200	5.08	0.04		0.023		
RGLS10-0500	12.70	0.04		0.039		
RGLS10-1000	25.40	0.05		0.070		
RGLS16-0100	2.54	0.04	254,000	0.020	46	4.8 x10 ⁻⁴
RGLS16-0200	5.08	0.05		0.031		
RGLS16-0500	12.70	0.05		0.047		
RGLS16-1000	25.40	0.06		0.101		

* Assemblies with lengths over 915mm and/or leads higher than 12.7mm are likely to have higher drag torques than listed values.

Basic Part Numbering:



Non-standard options, please enquire:

- Special carriage, rail, screw or mounting configuration.
- Higher accuracy lead screw, Left Hand (LH) or Left/Right (L/R) threads.
- Alternative guide lengths are available.

Full technical information available on request

	<p>Reliance Precision Mechatronics LLP Rowley Mills Penistone Road, Lepton, Huddersfield, HD8 0LE, England. Tel : +44 (0) 1484 601060 Fax : +44 (0) 1484 601061 www.rpmechatronics.co.uk sales@rpmechatronics.co.uk</p>	<p>Reliance Holland Klaroenring 217, 4876 ZE Etten - Leur, Noord-Brabant, Netherlands Tel : +31 (0) 76 5040790 Fax : +31 (0) 76 5040791 www.rpmechatronics.co.uk jb@reliance.co.uk</p>	<p>Reliance France 33 Rue Racine, 11000 Carcassonne, France Tel : +33 (0) 468 470589 Fax : +33 (0) 468 471772 www.rpmechatronics.co.uk ph@reliance.co.uk</p>
------------------------------------------------------------------------------------	--------------------------------------------------------------------------------------------------------------------------------------------------------------------------------------------------------------------------------------------------------------------------------------------------------------------------------------------------------------------------------------------------------	-----------------------------------------------------------------------------------------------------------------------------------------------------------------------------------------------------------------------------------------------------------------------------------------------------------------------------------------------------------------------	------------------------------------------------------------------------------------------------------------------------------------------------------------------------------------------------------------------------------------------------------------------------------------------------------------------------