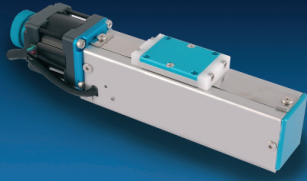




# Reliance Precision Mechatronics LLP

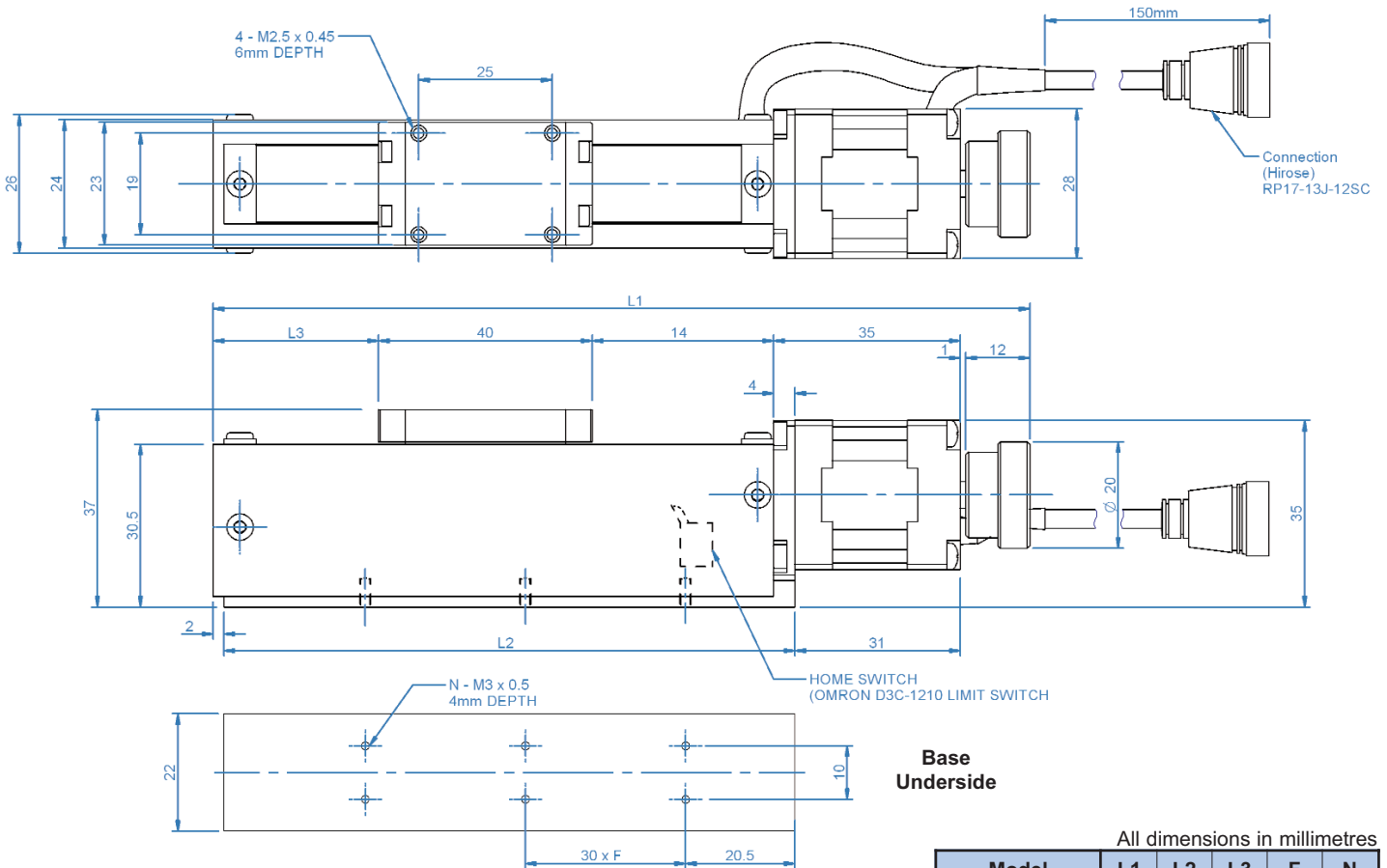


## RRPA - Miniature Actuator Series

Refined Accuracy, Stiffness and Durability



RoHS Compliant



All dimensions in millimetres

Model	L1	L2	L3	F	N
RRPA40-28	153	107	51	2	6
RRPA60-28	173	127	71	3	8
RRPA120-28	233	187	131	5	12

### Specifications:

Model	Stroke	Position Repeatability	Max. Horizontal Load Capacity	Max. Vertical Load Capacity	Max. Load Moment*	Max. Speed	Backlash	Lead	Resolution	Weight	Motor	Operating Temp. Range
	mm	mm	N	N	Nm	mm/sec	mm	mm	mm/step	kg		°C
RRPA40-28	40	±0.01	39.2	19.6	My: 0.5	120	0.01 max.	4	0.008 (Full step)	0.29	Five-phase stepper motor 0.35A/phase	0 to 40
RRPA60-28	60				0.32							
RRPA120-28	120				0.37							

\*Maximum load moment - **Mp**: Permissible moment in screw pitch direction; **My**: Permissible yaw moment; **Mr**: Permissible rolling moment.

Tel : +44 (0) 1484 601002  
www.rpmechatronics.co.uk

Fax : +44 (0) 1484 601061  
sales@rpmechatronics.co.uk

## Features:

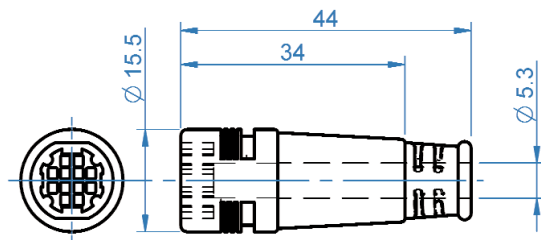
- Refined accuracy miniature actuators, up to 26mm wide and 37mm high (palm-sized)
- Units featuring high accuracy, high durability and using precision rolled ballscrews and direct guides
- Capable of speeds of up to 120mm/s
- 5-phase stepper motors are used for smooth movement and minimal heat generation
- Lightweight design makes these units ideal for vertical mounting

## Applications:

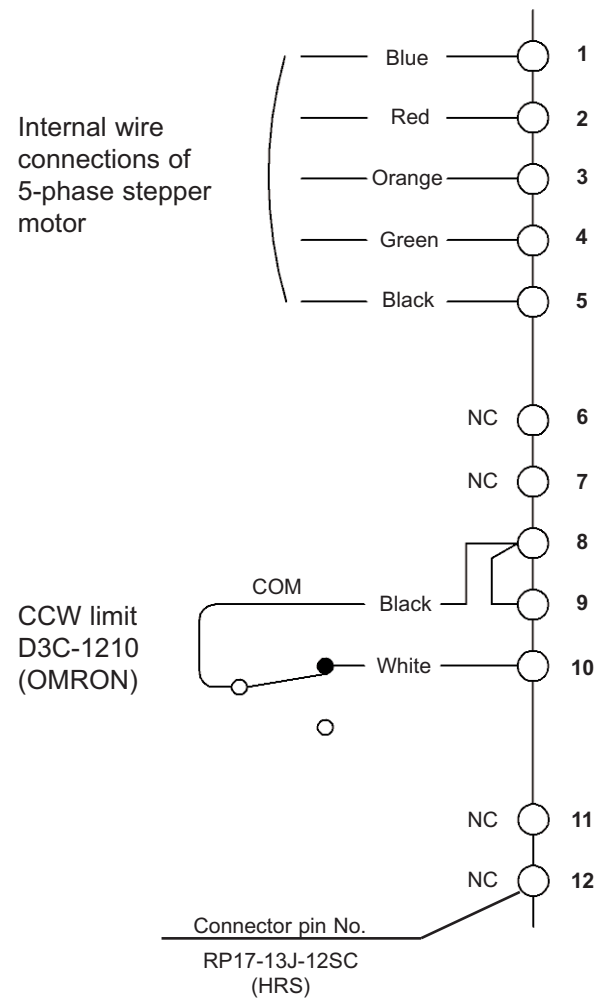
Ideal for applications demanding high speed and durability, such as compact high speed component conveyor systems, dose control and desktop robots

## Connector Details:

RP17-13J-12SC



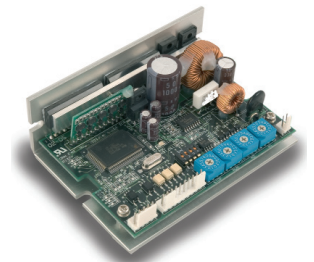
## Wire Connection Diagram:



## Available Accessory:

KR-55ME-SS, 5-Phase Micro-Step Driver

- Micro-step driver for 5-phase stepper motors with a 24V DC power supply input
- 16 step angle types can be set with up to 250 divisions/125,000 pulses per revolution
- A low-vibration function ensures reduced vibration for full-step drive
- Two types of micro-step angle can be selected as required using a selector signal
- Input/output signal optically isolated
- External dimensions 105 x 74 x 38mm



## Specifications :

Input Power Supply	DC24V ±10% (3A max.)
Drive Current	0.23 to 0.75 A/phase
Drive System	Micro-step drive system
Operating Temperature Range	0 to 40°C
Weight	Approx. 0.2kg

## Input Pulse Characteristics :

Pulse Width	0.5µs min.
Pulse Interval	0.5µs min.
Rise/Fall Time	1µs max.
Max Pulse Frequency	500K pps
Pulse Voltage	[1]4v to 8v [0]0.5v to -8v
Internal Resistance	300Ω (F.R) 390Ω (H.O,D.S.)

Full technical information available on request



Rowley Mills, Penistone Road, Lepton, Huddersfield, HD8 0LE, England.  
Tel : +44 (0) 1484 601002  
www.rpmechatronics.co.uk  
Fax : +44 (0) 1484 601061  
sales@rpmechatronics.co.uk