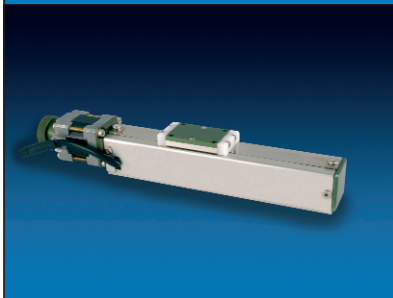




Reliance Precision Mechatronics LLP

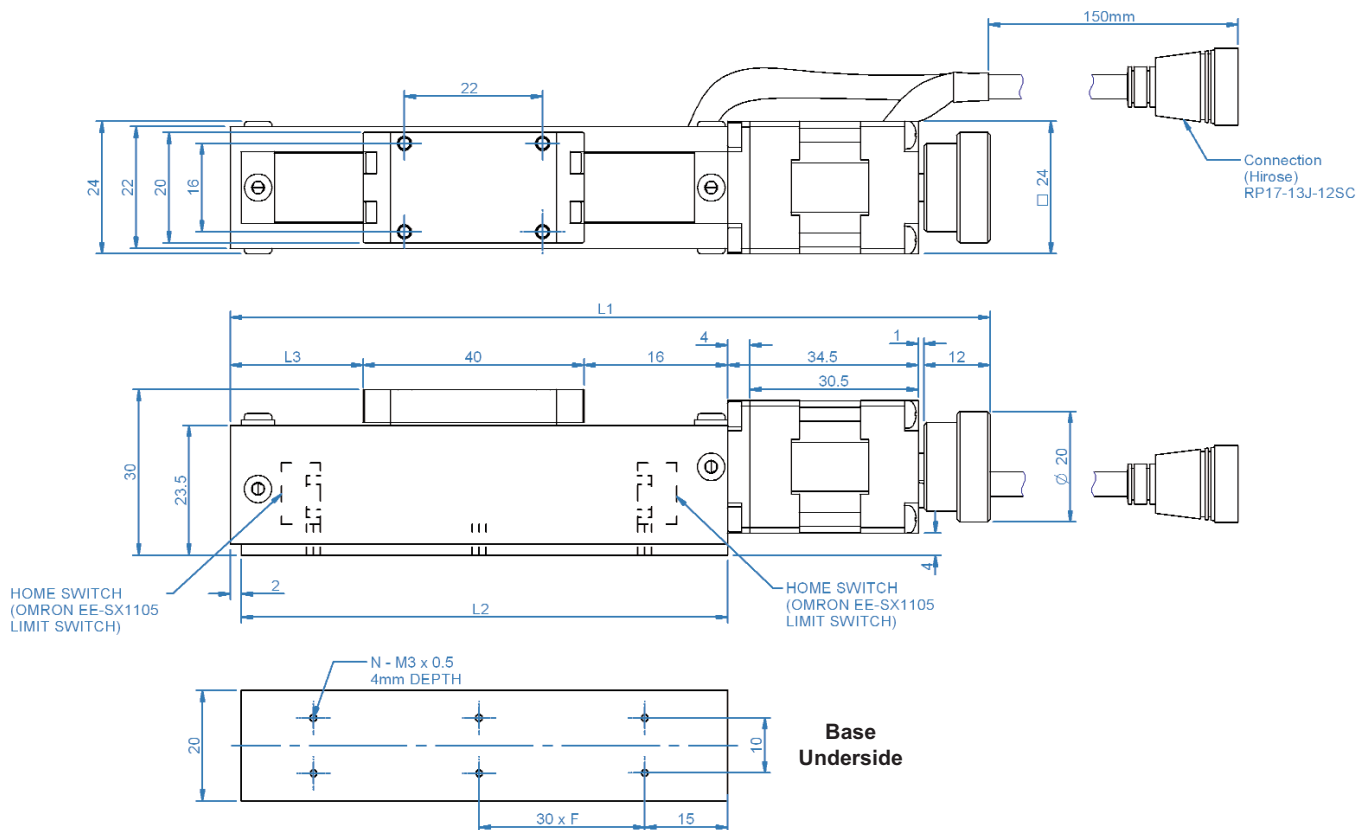


RSSA - Miniature Actuator Series

Super Slim Units With Refined Precision



RoHS Compliant



All dimensions in millimetres

Model	L1	L2	L3	F	N
RSSA20-24	137.5	88	34	2	6
RSSA30-24	150.5	101	47	2	6
RSSA60-24	180.5	131	77	3	8

SPECIFICATIONS:

Model	Stroke mm	Position Repeatability mm	Max. Horizontal Load Capacity N	Max. Vertical Load Capacity N	Max. Load Moment* Nm	Max. Speed mm/sec	Backlash mm	Lead mm	Resolution mm/step	Weight kg	Motor	Operating Temp. Range °C	Sensor
RSSA20-24	20	±0.005	29.4	10.2	Mp: 0.6	20	0.005 max.	1	0.002 (Full step)	0.2	Five-phase stepper motor 0.35A/phase	0 to 40	Photo micro Sensor (2 points) 5V DC, 50 mA
RSSA30-24	30				My: 0.6								
RSSA60-24	60				Mr: 1.17								

* Maximum load moment-**Mp**: Permissible moment in screw pitch direction; **My**: Permissible yaw moment; **Mr**: Permissible rolling moment

Tel : +44 (0) 1484 601002
www.rpmechatronics.co.uk

Fax : +44 (0) 1484 601061
sales@rpmechatronics.co.uk

Features:

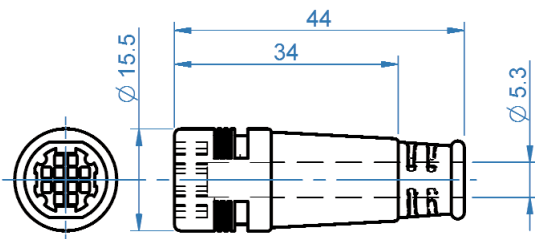
- Super-slim miniature actuators, up to 24mm wide and 30mm high (palm-sized)
- Precision ground miniature ballscrews are used, resulting in ultra-precision, high durability and high accuracy
- These units incorporate linear position sensors (EE-SX1105 Photomicrosensor)
- Ideal for the high-precision positioning of small components and dose control
- 5-phase stepper motors are used for smooth movement and minimal heat generation

Applications:

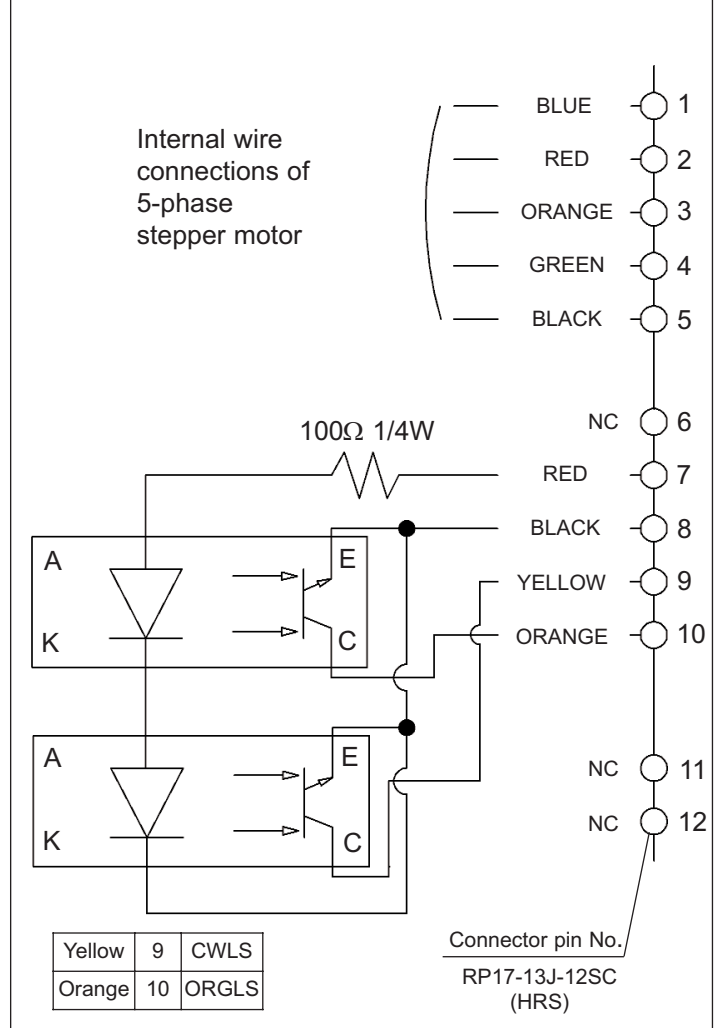
Ideal for applications demanding high accuracy, such as precision positioning devices for measuring equipment, desktop testing equipment and precision dispensers

Connector Details:

RP17-13J-12SC



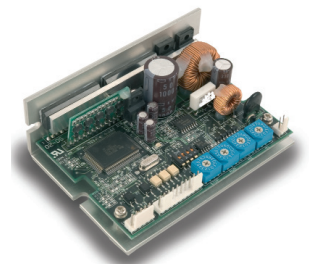
Wire Connection Diagram:



Available Accessory:

KR-55ME-SS, 5-Phase Micro-Step Driver

- Micro-step driver for 5-phase stepper motors with a 24V DC power supply input
- 16 step angle types can be set with up to 250 divisions/125,000 pulses per revolution
- A low-vibration function ensures reduced vibration for full-step drive
- 2 types of micro-step angle can be selected as required using a selector signal
- Input/output signal optically isolated
- External dimensions 105 x 74 x 38mm



Specifications:

Input Power Supply	DC24V ±10% (3A max.)
Drive Current	0.23 to 0.75 A/phase
Drive System	Micro-step drive system
Operating Temperature Range	0 to 40°C
Weight	Approx. 0.2kg

Input Pulse Characteristics:

Pulse Width	0.5µs min.
Pulse Interval	0.5µs min.
Rise/Fall Time	1µs max.
Max Pulse Frequency	500K pps
Pulse Voltage	[1]4v to 8v [0]0.5v to -8v
Internal Resistance	300Ω (F.R) 390Ω (H.O,D.S.)

All technical information available on request