



Size 8 Stepper Motor

2 Phase Unipolar, 1.8° Step Angle

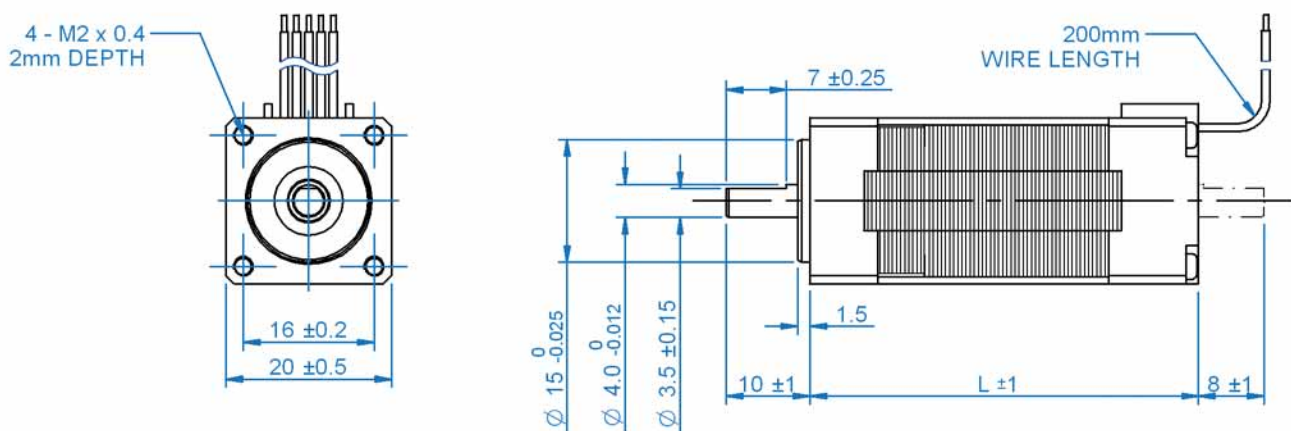
RoHS Compliant

Modified Standards Available On Request:

- Low volume, output shaft and wire modifications
- Other wiring and performance options

Associated products:

- Reli-a-Flex® couplings
- Leadscrews



All dimensions in millimetres

Type Number		Step Angle Deg.	Rated Voltage V/Phase	Rated Current A/Phase	Winding Resistance Ω/Phase	Inductance mH/Phase	Holding Torque Nm	Motor Length L	Rotor Inertia $\times 10^{-7} \text{kg.m}^2$	Mass g
Single Shaft	Dual Shaft									
RSM08N1-LC	RSM08N11-LC	1.8	3.5	0.35	10	2.4	0.013	30	1.9	50
RSM08N2-LC	RSM08N12-LC	1.8	7	0.35	20	4.6	0.024	46.5	4	85

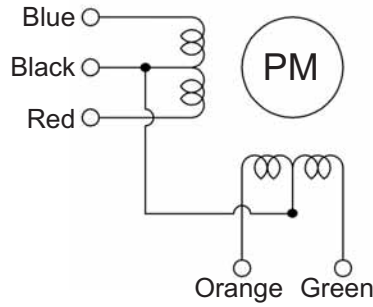
Technical Specification:

- Shaft end play0.075mm max. at load 9.8N
- Shaft radial play0.03mm max. at load 4.9N
- Shaft runout0.05mm T.I.R. max.
- Insulation classNEMA Class B (+130°C, except lead wires)
- Insulation resistance100MΩ min. (at 500V DC)
- Dielectric strength500v AC (1 minute)
- Operating temperature range-20 to +50°C
- Storage temperature range-40 to +70°C
- Operating humidity range5% to 95% RH
- Permissible temperature rise80°C max.

Note: Do not allow the surface temperature of the motor case to rise above 90°C during operation.

Wiring Diagram:

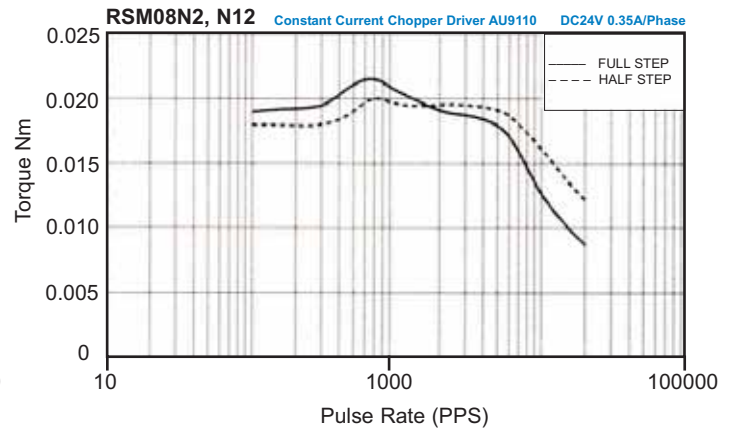
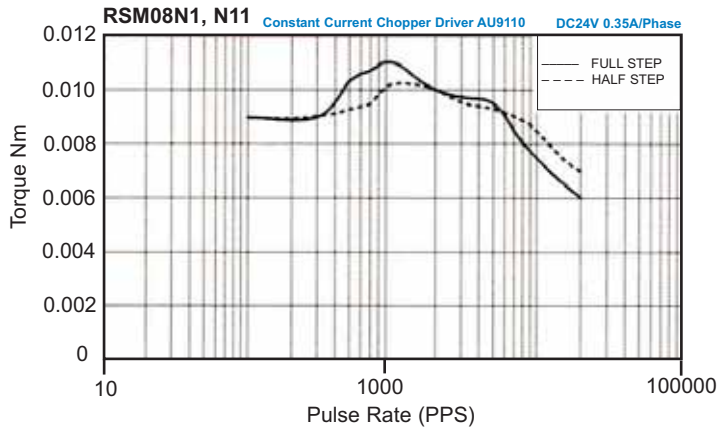
UNIPOLAR



CW rotation mounting end

Step	Blue	Orange	Red	Green	Black
0	ON	ON			+V
1		ON	ON		+V
2			ON	ON	+V
3	ON			ON	+V
0	ON	ON			+V

Pulse Rate vs Torque Characteristics:



Available Accessories:

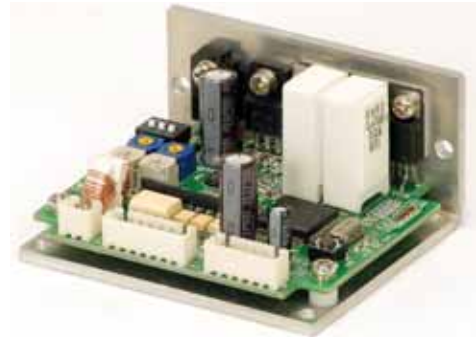
AU9110 : 2-Phase Full/Half Step



Features:

- Unipolar driver
- Full/half step
- Output current range variable up to 2.0A/phase
- Input options:
 - 1 pulse input (pulse string and direction signal)
 - 2 pulse input (CW pulse string and CCW pulse string)
- Input/output photo-couplers
- Power source +24V DC, $\pm 10\%$ 3A max. (total current consumed)
- External dimensions 72 x 64 x 32mm

AU9114 : 2-Phase Micro Step Driver



Features:

- Unipolar driver
- 1/8 (1600 steps) and 1/16 (3200 steps) micro steps
- Motor output current range 0.5A to 2.0A per phase
- Input options:
 - 1 pulse input (pulse string and direction signal) and 2 pulse input (CW pulse string and CCW pulse string)
- Input/output photo-couplers
- Power source +24V DC, $\pm 10\%$ 3A max. (total current consumed)
- External dimensions 72 x 64 x 35mm

Full drive specifications available on request