



Size 11 Stepper Motors

2 Phase Unipolar, 1.8° Step Angle

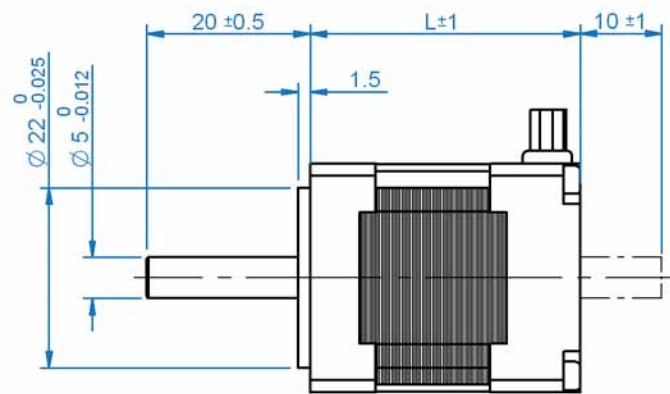
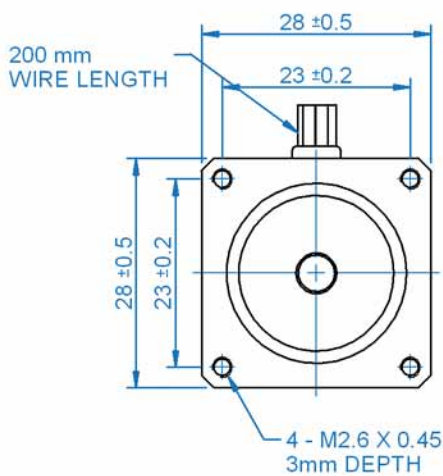
RoHS Compliant

Modified Standards Available On Request:

- Low volume, output shaft and wire modifications
- Other wiring and performance options

Associated products:

- Reli-a-Flex® couplings
- Leadscrews



All dimensions in millimetres

Type Number		Step Angle Deg.	Rated Voltage V/Phase	Rated Current A/Phase	Winding Resistance Ω/Phase	Inductance mH/Phase	Holding Torque Nm	Motor Length L	Rotor Inertia x10 ⁻⁷ kg.m ²	Mass g
Single Shaft	Dual Shaft									
RSM11N1E2-LC	RSM11N11E2-LC	1.8	2.6	0.95	2.7	1.2	0.06	33.5	8	150
RSM11N2E3-LC	RSM11N12E3-LC	1.8	1.4	1.4	1.0	0.55	0.09	47.5	18	250

Technical Specification:

- Shaft end play0.075mm max. at load 4.9N
- Shaft radial play0.025mm max. at load 4.9N
- Insulation resistance100MΩ min. (at 500V DC)
- Dielectric strength500v AC (1 minute)
- Overhang load19.6N
- Allowable thrust load4.9N
- Operating temperature range-20 to 50°C
- Permissible temperature rise80°C max. (resistance method)

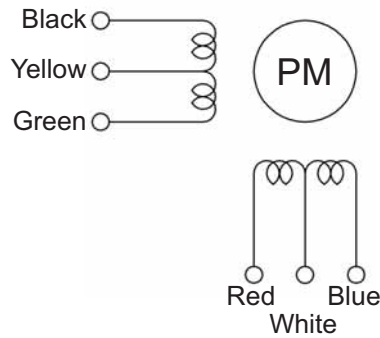
Note : Do not allow the surface temperature of the motor case to rise above 90°C during operation.

Tel : +44 (0) 1484 601002
www.rpmechatronics.co.uk

Fax : +44 (0) 1484 601061
sales@rpmechatronics.co.uk

Wiring Diagram:

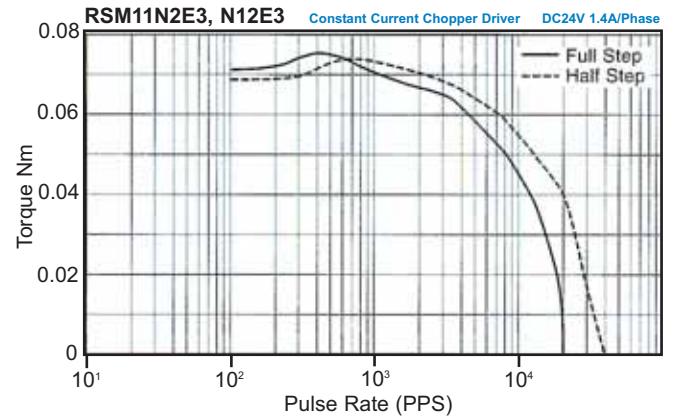
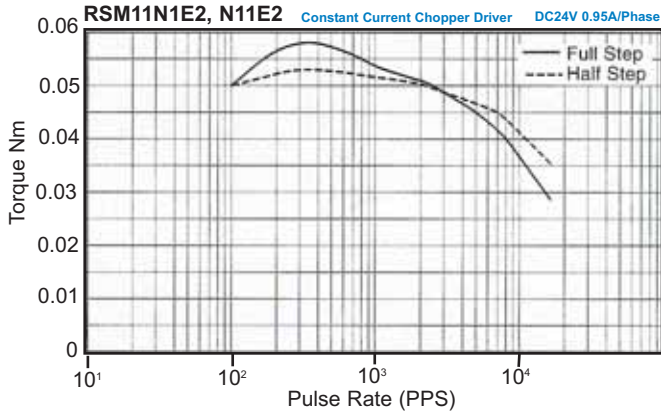
UNIPOLAR



CW rotation mounting end

Step	Black	Red	Green	Blue	Yellow	White
0	ON	ON			COM	COM
1		ON	ON		COM	COM
2			ON	ON	COM	COM
3	ON			ON	COM	COM
0	ON	ON			COM	COM

Pulse Rate vs Torque Characteristics:



Available Accessories:

AU9110 : 2-Phase Full/Half Step



Features:

- Unipolar driver
- Full/half step
- Output current range variable up to 2.0A/phase
- Input options:
 - 1 pulse input (pulse string and direction signal) and
 - 2 pulse input (CW pulse string and CCW pulse string)
- Input/output photo-couplers
- Power source +24V DC, $\pm 10\%$ 3A max. (total current consumed)
- External dimensions 72 x 64 x 32mm

AU9114 : 2-Phase Micro Step Driver



Features:

- Unipolar driver
- 1/8 (1600 steps) and 1/16 (3200 steps) micro steps
- Motor output current range 0.5A to 2.0A per phase
- Input options:
 - 1 pulse input (pulse string and direction signal) and
 - 2 pulse input (CW pulse string and CCW pulse string)
- Input/output photo-couplers
- Power source +24V DC, $\pm 10\%$ 3A max. (total current consumed)
- External dimensions 72 x 64 x 35mm

Full drive specifications available on request