



## Size 17 Stepper Motor 2 Phase Unipolar, 1.8° Step Angle

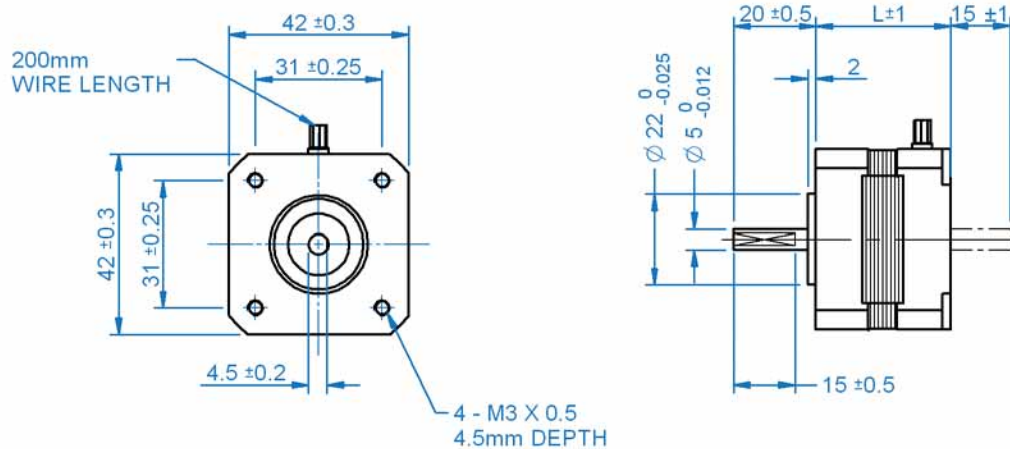
RoHS Compliant

### Modified Standards Available On Request:

- Low volume, output shaft and wire modifications
- Other wiring and performance options

### Associated products:

- Reli-a-Flex® couplings
- Leadscrews



All dimensions in millimetres

Type Number		Step Angle Deg.	Rated Voltage V/Phase	Rated Current A/Phase	Winding Resistance Ω/Phase	Inductance mH/Phase	Holding Torque Nm	Motor Length L	Rotor Inertia $\times 10^{-7}$ kg.m <sup>2</sup>	Mass g
Single Shaft	Dual Shaft									
RSM17N1E1-LC	RSM17N11E1-LC	1.8	4.0	0.95	4.2	2.8	0.16	33	35	200
RSM17N2E4-LC	RSM17N12E4-LC	1.8	4.0	1.2	3.3	3.6	0.26	39	54	240
RSM17N3E9-LC	RSM17N13E9-LC	1.8	7.2	0.8	9	9.5	0.32	47	68	310

### Technical Specification:

- Shaft end play .....0.075mm max. at load 9.8N
- Shaft radial play .....0.025mm max. at load 4.9N
- Insulation resistance .....100MΩ min. (at 500V DC)
- Dielectric strength .....500v AC (1 minute)
- Overhang load .....19.6N
- Allowable thrust load .....9.8N
- Operating temperature range .....-20 to 50°C
- Permissible temperature rise .....80° max. (resistance method)

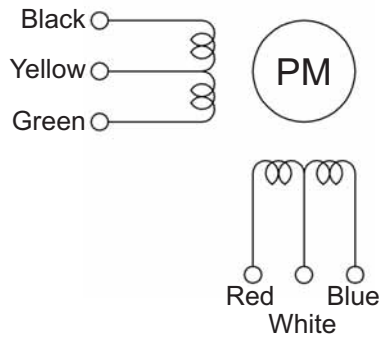
**Note :** Do not allow the surface temperature of the motor case to rise above 90°C during operation.

Tel : +44 (0) 1484 601002  
www.rpmechatronics.co.uk

Fax : +44 (0) 1484 601061  
sales@rpmechatronics.co.uk

## Wiring Diagram:

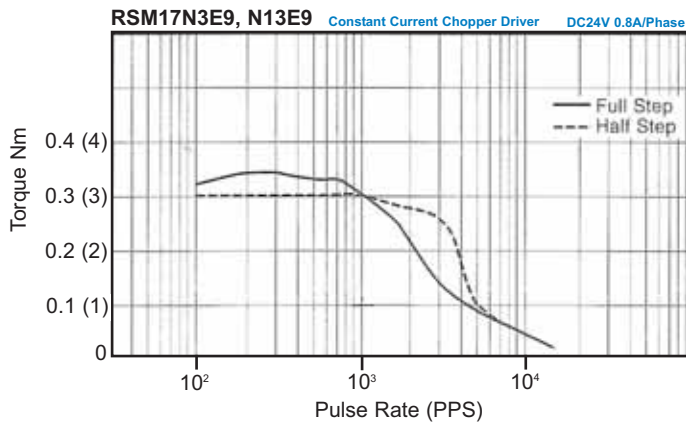
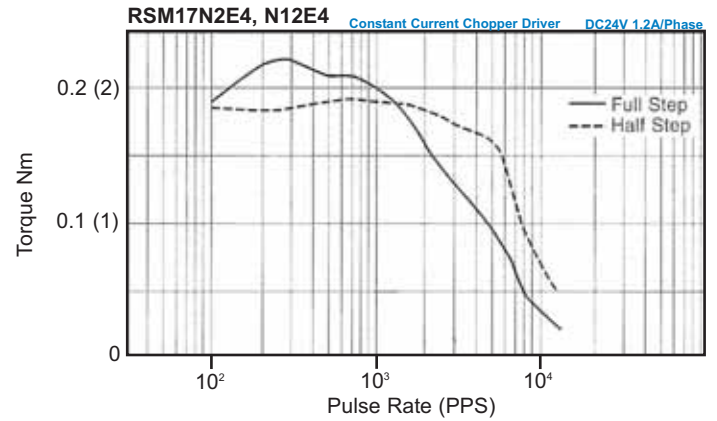
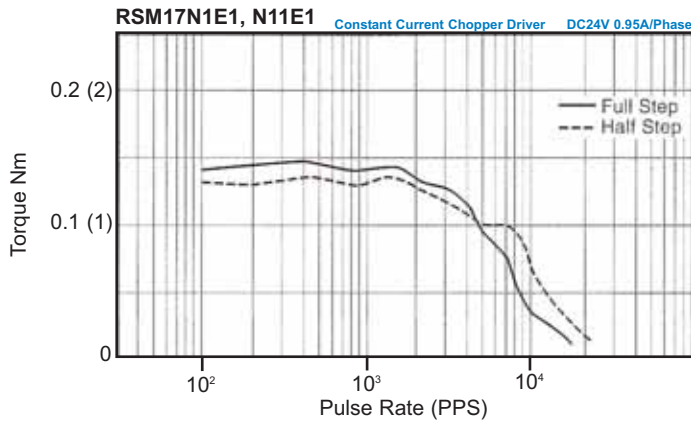
### UNIPOLAR



## CW rotation mounting end

Step	Black	Red	Green	Blue	Yellow	White
0	ON	ON			COM	COM
1		ON	ON		COM	COM
2			ON	ON	COM	COM
3	ON			ON	COM	COM
0	ON	ON			COM	COM

## Pulse Rate vs Torque characteristics:



AU9114 : 2-Phase Micro Step Driver

## Available Accessories:

AU9110 : 2-Phase Full/Half Step (Picture not shown)

### Features:

- Unipolar driver
- Full/half step
- Output current range variable up to 2.0A/phase
- Input options:
  - 1 pulse input (pulse string and direction signal) and
  - 2 pulse input (CW pulse string and CCW pulse string)
- Input/output photo-couplers
- Power source +24V DC,  $\pm 10\%$  3A max. (total current consumed)
- External dimensions 72 x 64 x 32mm

AU9114 : 2-Phase Micro Step Driver

### Features:

- Unipolar driver
- 1/8 (1600 steps) and 1/16 (3200 steps) micro steps
- Motor output current range 0.5A to 2.0A per phase
- Input options:
  - 1 pulse input (pulse string and direction signal) and
  - 2 pulse input (CW pulse string and CCW pulse string)
- Input/output photo-couplers
- Power source +24V DC,  $\pm 10\%$  3A max. (total current consumed)
- External dimensions 72 x 64 x 35mm

Full drive specifications available on request



Rowley Mills, Penistone Road, Lepton, Huddersfield, HD8 0LE, England.  
 Tel : +44 (0) 1484 601002  
 www.rpmechatronics.co.uk

Fax : +44 (0) 1484 601061  
 sales@rpmechatronics.co.uk