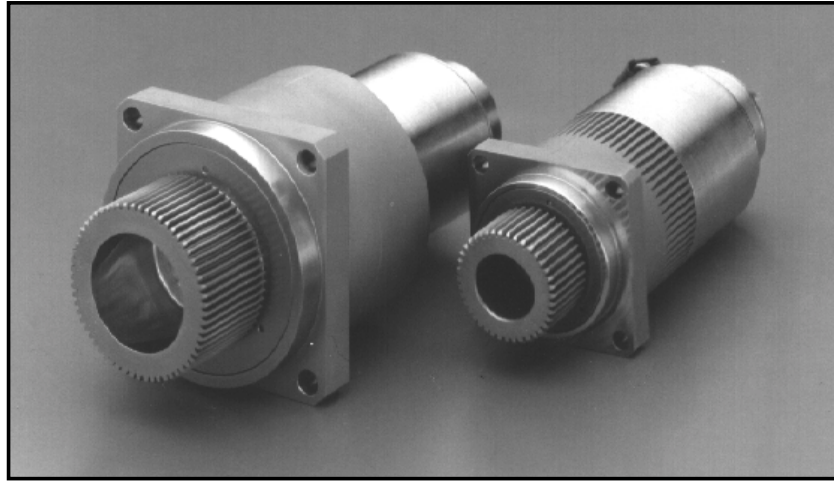




**Engineered  
Products**

# Reliance Servo Epicyclic



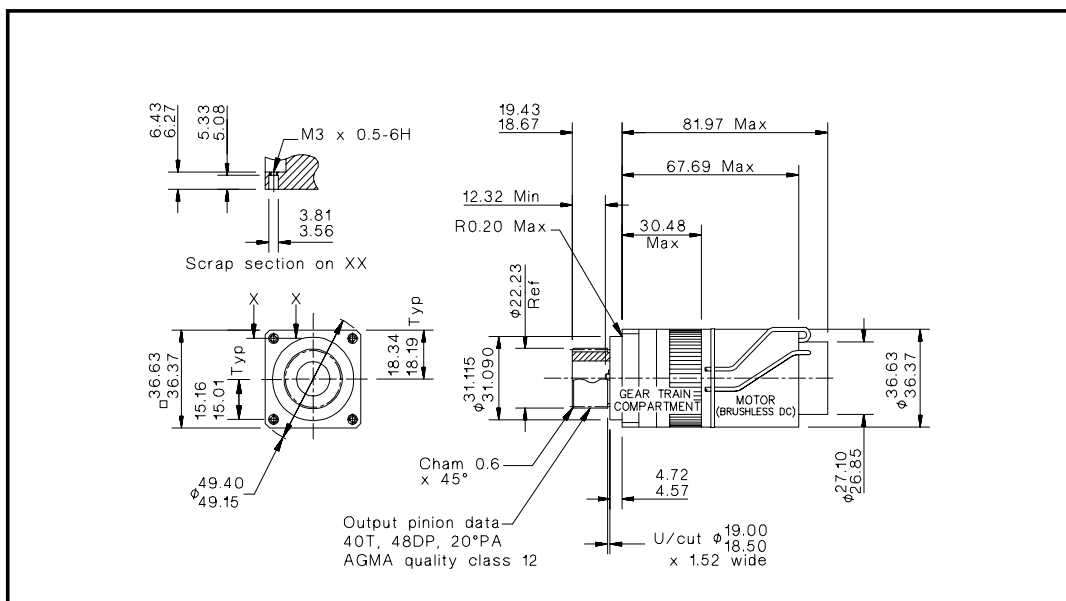
*RSE 6 Nm and 2 Nm Rated Output Torque*

Primarily aimed at airborne systems where extreme compactness and high performance with proven reliability is required, Reliance has designed two epicyclic gearboxes. The units have outside diameters of 37mm and 51mm and are capable of peak output torques of 4Nm and 12Nm respectively.

The all stainless steel construction with output shaft backlash figures as low as 5 arc mins (standard 15 arc mins), and efficiencies typically >80% at -40° makes the gearbox/motor package especially suited to the most rigorous environmental constraints and operating conditions, (high altitude, high vibration and high/low ambient temperature).

The integral motors shown are 2 phase brushless DC devices which use a rear mounted 2 phase resolver for commutation and are designed for use with a 270 volt P.W.M. amplifier.

For more information on this and other epicyclic gearboxes please contact Reliance Technical Sales.



Standard Product Sales :

+44 (0)1484 601060

+44 (0)1484 601061

<http://www.reliance.co.uk>

e-mail:sales@reliance.co.uk

© Reliance Gear Company Limited