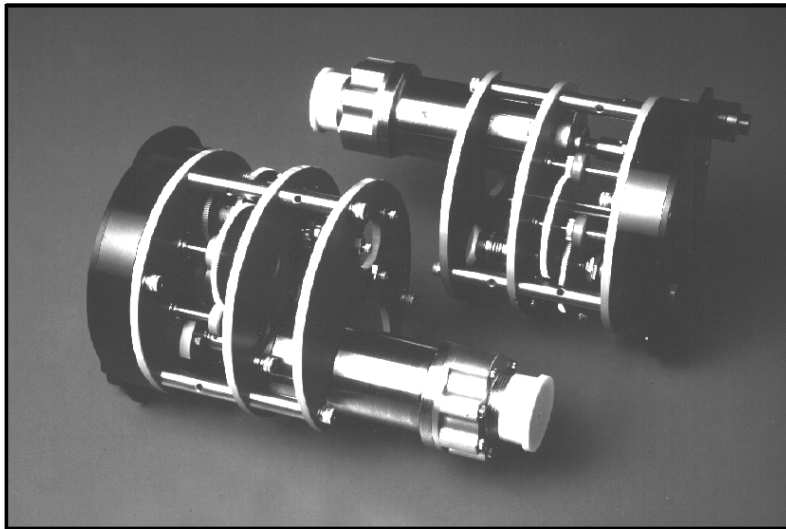


Modular Servo Gearboxes

**Engineered
Products**



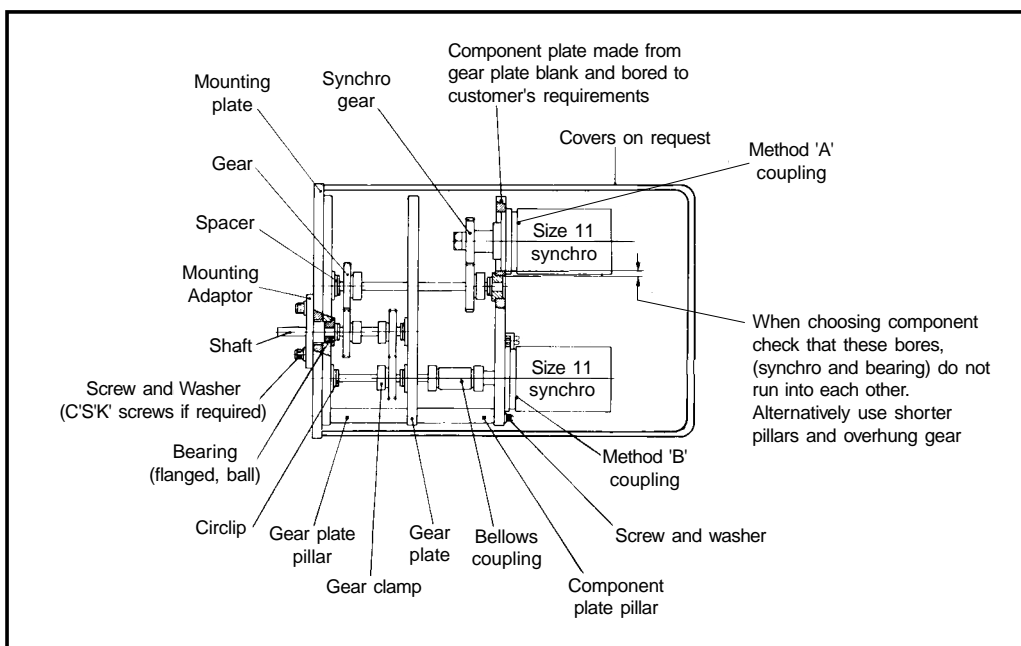
Modular Servo Gearboxes

The combination of standard components, the design office and clean room assembly enables Reliance to offer a range of modular gearboxes with instrument gearing to suit specific customer requirements. These modular gearboxes are manufactured from corrosion resistant materials and are designed to transmit position at low torque, with high accuracy, minimal backlash and low friction torques, making them especially suited to electromechanical and optical measuring devices.

The basic design is available in 4 sizes from 89 mm to 210mm outside diameter with gear ratios up to 1,000,000:1, backlash figures less than 1 minute of arc are attainable.

Gear ratios and components can be easily altered for prototype work yet still maintain the highest standards demanded by precision instrumentation.

For more information on Modular Servo Gearboxes please contact Reliance Technical Sales.



Standard Product Sales :

+44 (0)1484 601060

+44 (0)1484 601061

<http://www.reliance.co.uk>

e-mail:sales@reliance.co.uk

© Reliance Gear Company Limited