



Anti-backlash Clamp Hub Gears

2 - 6mm Bore

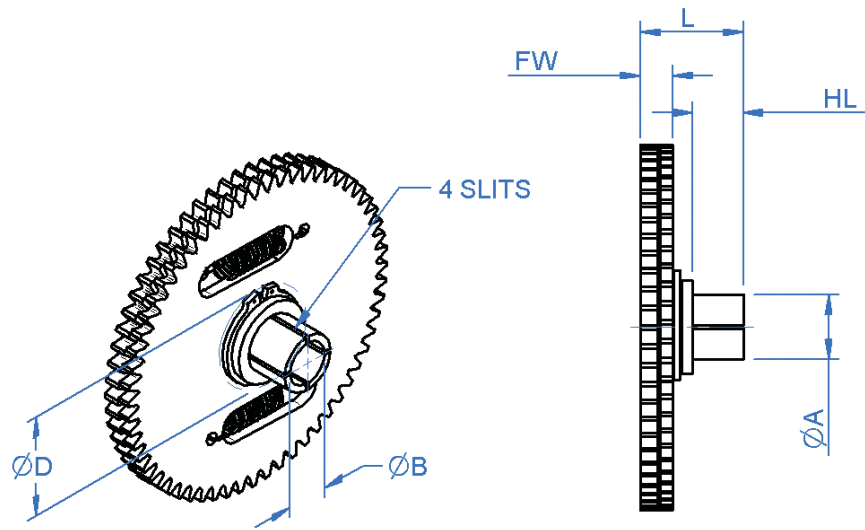
General Information

All dimensions in mm
 General tolerances:
 ±0.13mm
 Material:
 Stainless steel
 or
 Aluminium alloy
 Pressure angle 20°

Associated Products

Clamp hub gears
 Shafts
 Bearings
 Gear clamps

Visit our online catalogue for associated products



Drawing dimension table

Bore Size	Bore Dia	Overall Length	Gear Face Width	Hub Dia	Clearance Dia	Hub Length	Recommended Clamp #	
Nom	ØB	L	FW	ØA	ØD Max	HL		
2	2.003 1.995	9.00	3.91 3.14	3.60 3.56	15.00	4.20	CGAM-2A or CGM1-2	
3	3.003 2.995	9.50		4.60 4.56			CGAM-3A or CGM1-3	
4	4.003 3.995	10.50		5.60 5.56		5.20	CGAM-4A or CGM1-4	
5	5.003 4.995			6.60 6.56			CGAM-5A or CGM1-5	
6	6.003 5.995	12.00		7.60 7.56		18.80	5.70	CGAM-6A or CGM1-6

see gear clamps on pages 52 - 53 for information.

- Standard gear quality AQ10 - see page 56.
- Material and treatment specifications - see page 59.

Non-standard options, please enquire....

- Higher gear qualities - see page 56.
- Alternative modules.
- Imperial diametral pitches.
- Imperial bore sizes 5/64", 0.120", 1/8", 3/16" & 1/4".

www.rpmechatronics.co.uk

Standard Product Sales : ☎ +44 (0)1484 601060 📠 +44 (0)1484 601061
 www.rpmechatronics.co.uk sales@rpmechatronics.co.uk

© Reliance Precision Mechatronics LLP



Part number selection table

Example Part No:-

AC06S1B5F35A- 60

Bore Size Nom	Standard Modules	Basic Part Number Standard Materials		Number of Teeth	
		Stainless Steel	Aluminium Alloy	Min	Max
2	0.6	AC06S1B2F35A	AC06A1B2F35A	55	119
	0.5	AC05S1B2F35A	AC05A1B2F35A	66	143
	0.4	AC04S1B2F35A	AC04A1B2F35A	81	179
	0.3	AC03S1B2F35A	AC03A1B2F35A	107	240
	0.25	AC025S1B2F35A	AC025A1B2F35A	128	289
	0.2	AC02S1B2F35A	AC02A1B2F35A	159	361
3	0.6	AC06S1B3F35A	AC06A1B3F35A	55	119
	0.5	AC05S1B3F35A	AC05A1B3F35A	66	143
	0.4	AC04S1B3F35A	AC04A1B3F35A	81	179
	0.3	AC03S1B3F35A	AC03A1B3F35A	107	240
	0.25	AC025S1B3F35A	AC025A1B3F35A	128	289
	0.2	AC02S1B3F35A	AC02A1B3F35A	159	361
4	0.6	AC06S1B4F35A	AC06A1B4F35A	55	119
	0.5	AC05S1B4F35A	AC05A1B4F35A	66	143
	0.4	AC04S1B4F35A	AC04A1B4F35A	81	179
	0.3	AC03S1B4F35A	AC03A1B4F35A	107	240
	0.25	AC025S1B4F35A	AC025A1B4F35A	128	289
	0.2	AC02S1B4F35A	AC02A1B4F35A	159	361
5	0.6	AC06S1B5F35A	AC06A1B5F35A	55	119
	0.5	AC05S1B5F35A	AC05A1B5F35A	66	143
	0.4	AC04S1B5F35A	AC04A1B5F35A	81	179
	0.3	AC03S1B5F35A	AC03A1B5F35A	107	240
	0.25	AC025S1B5F35A	AC025A1B5F35A	128	289
	0.2	AC02S1B5F35A	AC02A1B5F35A	159	361
6	0.6	AC06S1B6F35A	AC06A1B6F35A	55	119
	0.5	AC05S1B6F35A	AC05A1B6F35A	66	143
	0.4	AC04S1B6F35A	AC04A1B6F35A	81	179
	0.3	AC03S1B6F35A	AC03A1B6F35A	107	240
	0.25	AC025S1B6F35A	AC025A1B6F35A	128	289
	0.2	AC02S1B6F35A	AC02A1B6F35A	159	361

General Information

All dimensions in mm
General tolerances:
±0.13mm
Material:
Stainless steel
or
Aluminium alloy
Pressure angle 20°

Associated Products

Clamp hub gears
Shafts
Bearings
Gear clamps
Visit our online catalogue for associated products

www.rpmechatronics.co.uk