



Anti-backlash Clamp Hub Gears

8 - 10mm Bore

General Information

All dimensions in mm
General tolerances:
±0.13mm

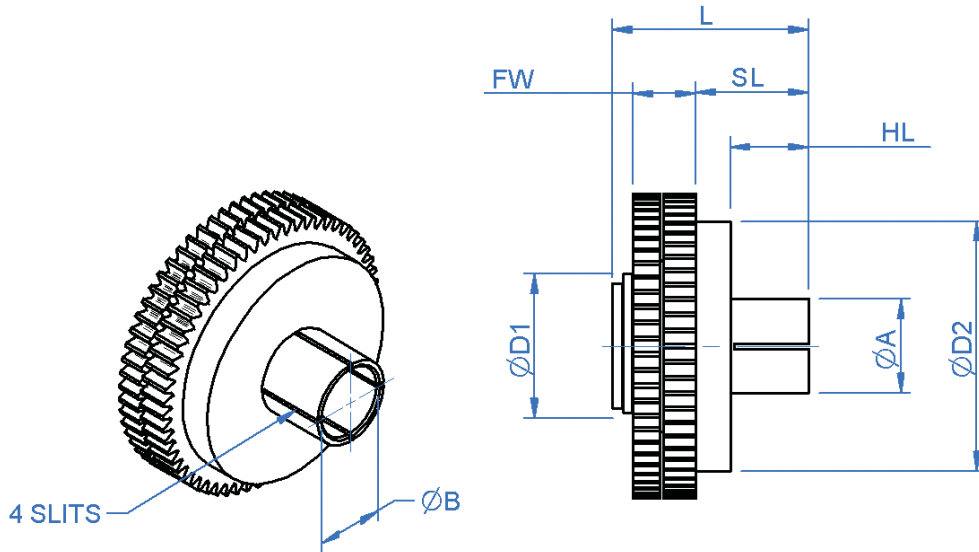
Material:
Stainless steel
or
Aluminium alloy

Pressure angle 20°

Associated Products

Clamp hub gears
Shafts
Bearings
Gear clamps

Visit our online catalogue for associated products



Drawing dimension table

Bore Size Nom	Bore Dia ØB	Overall Length L	Gear Face Width FW	Hub Dia ØA	Clearance Dia		Hub Length HL	Length SL	Recommended Clamp #
					Circlip ØD1 Max	ØD2 Max			
8	8.003 7.995	20.00	6.86	9.60 9.56	19.2	25.40	8.0	11.88 11.20	CGAM-8A or CGM1-8
10	10.003 9.995		6.17	11.60 11.56					CGAM-10A or CGM1-10

see gear clamps on pages 52 - 53 for information.

- Standard gear quality AQ10 - see page 56.
- Material and treatment specifications - see page 59.

Non-standard options, please enquire....

- Higher gear qualities - see page 56.
- Alternative modules.
- Imperial diametral pitches.
- Imperial bore sizes 5/16" & 3/8".

www.rpmechatronics.co.uk

Standard Product Sales : ☎ +44 (0)1484 601060 📠 +44 (0)1484 601061
www.rpmechatronics.co.uk sales@rpmechatronics.co.uk

© Reliance Precision Mechatronics LLP

Anti-backlash Clamp Hub Gears



Part number selection table

Example Part No:- **AC05S1B8F61A- 60**

Bore Size Nom	Standard Modules	Basic Part Number Standard Materials		Number of Teeth	
		Stainless Steel	Aluminium Alloy	Min	Max
8	0.6	AC06S1B8F61A	AC06A1B8F61A	48	127
	0.5	AC05S1B8F61A	AC05A1B8F61A	56	152
	0.4	AC04S1B8F61A	AC04A1B8F61A	70	190
	0.3	AC03S1B8F61A	AC03A1B8F61A	92	254
	0.25	AC025S1B8F61A	AC025A1B8F61A	110	304
	0.2	AC02S1B8F61A	AC02A1B8F61A	136	381
10	0.6	AC06S1B10F61A	AC06A1B10F61A	48	127
	0.5	AC05S1B10F61A	AC05A1B10F61A	56	152
	0.4	AC04S1B10F61A	AC04A1B10F61A	70	190
	0.3	AC03S1B10F61A	AC03A1B10F61A	92	254
	0.25	AC025S1B10F61A	AC025A1B10F61A	110	304
	0.2	AC02S1B10F61A	AC02A1B10F61A	136	381

General Information

All dimensions in mm
 General tolerances: ±0.13mm
 Material:
 Stainless steel or Aluminium alloy
 Pressure angle 20°

Associated Products

Clamp hub gears
 Shafts
 Bearings
 Gear clamps
 Visit our online catalogue for associated products



www.rpmechatronics.co.uk