



# Anti-backlash Pin Hub Pinions

2 - 6mm Bore

## General Information

All dimensions in mm  
General tolerances:  
±0.13mm

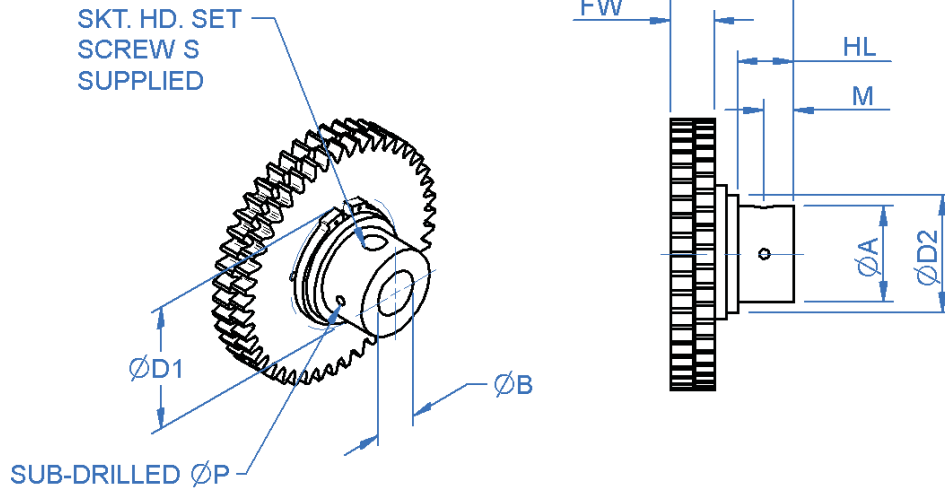
Material:  
Stainless steel  
or  
Aluminium alloy

Pressure angle 20°

## Associated Products

Pin hub gears  
Shafts  
Bearings

Visit our online catalogue for associated products



Drawing dimension table

Bore Size Nom	Bore Dia ØB	Overall Length L	Gear Face Width FW	Hub Dia ØA	Clearance		Hub Length HL	Hole Position M	Set Screw S	Sub-Drill ØP
					ØD1 Max †	ØD2				
2	2.003 1.995	10.50	4.90 4.10	6.80	18.10	11.987 11.975	3.70	2.20 1.80	M1.6	0.75
3	3.003 2.995			7.80						
4	4.003 3.995	12.50	4.90 4.10	9.80	18.10	11.987 11.975	5.70	3.20 2.80	M3	1.00
5	5.003 4.995			11.80						
6	6.003 5.995			1.50						

† ØD will not exceed the root diameter of the teeth.

- Standard gear quality AQ10 - see page 56.
- Material and treatment specifications - see page 59.

## Non-standard options, please enquire....

- Higher gear qualities - see page 56.
- Alternative modules.
- Imperial diametral pitches.
- Imperial bore sizes 5/64", 0.120", 1/8", 3/16" & 1/4".

www.rpmechatronics.co.uk

Standard Product Sales : ☎ +44 (0)1484 601060 📠 +44 (0)1484 601061  
www.rpmechatronics.co.uk sales@rpmechatronics.co.uk

© Reliance Precision Mechatronics LLP

# Anti-backlash Pin Hub Pinions



## Part number selection table

Example Part No:- AP06S1B5F45A- 44

Bore Size Nom	Standard Modules	Basic Part Number Standard Materials		Number of Teeth	
		Stainless Steel	Aluminium Alloy	Min	Max
2	0.6	AP06S1B2F45A	AP06A1B2F45A	29	59
	0.5	AP05S1B2F45A	AP05A1B2F45A	34	72
	0.4	AP04S1B2F45A	AP04A1B2F45A	42	90
	0.3	AP03S1B2F45A	AP03A1B2F45A	55	121
	0.25	AP025S1B2F45A	AP025A1B2F45A	65	146
	0.2	AP02S1B2F45A	AP02A1B2F45A	80	183
3	0.6	AP06S1B3F45A	AP06A1B3F45A	29	59
	0.5	AP05S1B3F45A	AP05A1B3F45A	34	72
	0.4	AP04S1B3F45A	AP04A1B3F45A	42	90
	0.3	AP03S1B3F45A	AP03A1B3F45A	55	121
	0.25	AP025S1B3F45A	AP025A1B3F45A	65	146
	0.2	AP02S1B3F45A	AP02A1B3F45A	80	183
4	0.6	AP06S1B4F45A	AP06A1B4F45A	29	59
	0.5	AP05S1B4F45A	AP05A1B4F45A	34	72
	0.4	AP04S1B4F45A	AP04A1B4F45A	42	90
	0.3	AP03S1B4F45A	AP03A1B4F45A	55	121
	0.25	AP025S1B4F45A	AP025A1B4F45A	65	146
	0.2	AP02S1B4F45A	AP02A1B4F45A	80	183
5	0.6	AP06S1B5F45A	AP06A1B5F45A	29	59
	0.5	AP05S1B5F45A	AP05A1B5F45A	34	72
	0.4	AP04S1B5F45A	AP04A1B5F45A	42	90
	0.3	AP03S1B5F45A	AP03A1B5F45A	55	121
	0.25	AP025S1B5F45A	AP025A1B5F45A	65	146
	0.2	AP02S1B5F45A	AP02A1B5F45A	80	183
6	0.6	AP06S1B6F45A	AP06A1B6F45A	29	59
	0.5	AP05S1B6F45A	AP05A1B6F45A	34	72
	0.4	AP04S1B6F45A	AP04A1B6F45A	42	90
	0.3	AP03S1B6F45A	AP03A1B6F45A	55	121
	0.25	AP025S1B6F45A	AP025A1B6F45A	65	146
	0.2	AP02S1B6F45A	AP02A1B6F45A	80	183

### General Information

All dimensions in mm  
 General tolerances: ±0.13mm  
 Material:  
 Stainless steel or Aluminium alloy  
 Pressure angle 20°

### Associated Products

Pin hub gears  
 Shafts  
 Bearings  
 Visit our online catalogue for associated products

www.rpmechatronics.co.uk