



Anti-backlash Pin Hub Gears

2 - 6mm Bore

General Information

All dimensions in mm
 General tolerances:
 ±0.13mm
 Material:
 Stainless steel
 or
 Aluminium alloy
 Pressure angle 20°

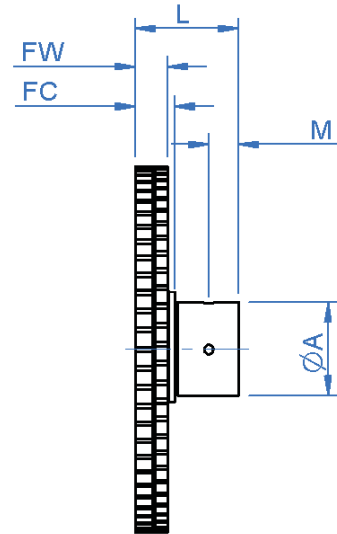
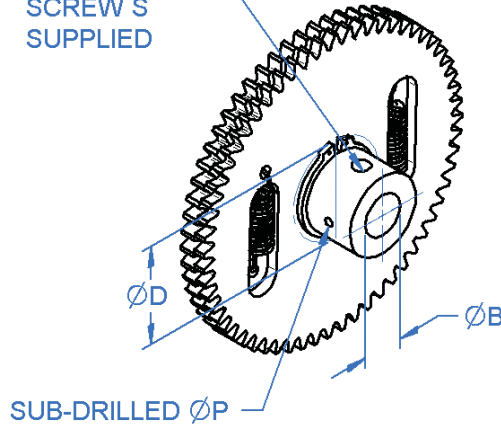
Associated Products

Pin hub gears
 Shafts
 Bearings

Visit our online catalogue for associated products

www.rpmechatronics.co.uk

SKT. HD. SET
 SCREW S
 SUPPLIED



Drawing dimension table

Bore Size Nom	Bore Dia ØB	Overall Length L	Gear Face Width FW	Hub Dia ØA	Circlip Dims		Hole Position M	Set Screw S	Sub-Drill ØP
					Clearance ØD Max	Length FC			
2	2.003 1.995	9.00	3.62 3.17	9.40	15.00	4.49 3.91	2.00	M1.6	0.75
3	3.003 2.995	9.50					2.50	M2	
4	4.003 3.995	10.50					3.00	M2.5	1.00
5	5.003 4.995						4.00	M3	1.50
6	6.003 5.995	12.00					12.60	18.80	4.75 4.16

- Standard gear quality AQ10 - see page 56.
- Material and treatment specifications - see page 59.

Non-standard options, please enquire....

- Higher gear qualities - see page 56.
- Alternative modules.
- Imperial diametral pitches.
- Imperial bore sizes 5/64", 0.120", 1/8", 3/16" & 1/4".

Standard Product Sales : ☎ +44 (0)1484 601060 📠 +44 (0)1484 601061
 www.rpmechatronics.co.uk sales@rpmechatronics.co.uk

© Reliance Precision Mechatronics LLP

Anti-backlash Pin Hub Gears



Part number selection table

Example Part No:- AP06S1B5F35A- 60

Bore Size Nom	Standard Modules	Basic Part Number Standard Materials		Number of Teeth	
		Stainless Steel	Aluminium Alloy	Min	Max
2	0.6	AP06S1B2F35A	AP06A1B2F35A	55	119
	0.5	AP05S1B2F35A	AP05A1B2F35A	66	143
	0.4	AP04S1B2F35A	AP04A1B2F35A	81	179
	0.3	AP03S1B2F35A	AP03A1B2F35A	107	240
	0.25	AP025S1B2F35A	AP025A1B2F35A	128	289
	0.2	AP02S1B2F35A	AP02A1B2F35A	159	361
3	0.6	AP06S1B3F35A	AP06A1B3F35A	55	119
	0.5	AP05S1B3F35A	AP05A1B3F35A	66	143
	0.4	AP04S1B3F35A	AP04A1B3F35A	81	179
	0.3	AP03S1B3F35A	AP03A1B3F35A	107	240
	0.25	AP025S1B3F35A	AP025A1B3F35A	128	289
	0.2	AP02S1B3F35A	AP02A1B3F35A	159	361
4	0.6	AP06S1B4F35A	AP06A1B4F35A	55	119
	0.5	AP05S1B4F35A	AP05A1B4F35A	66	143
	0.4	AP04S1B4F35A	AP04A1B4F35A	81	179
	0.3	AP03S1B4F35A	AP03A1B4F35A	107	240
	0.25	AP025S1B4F35A	AP025A1B4F35A	128	289
	0.2	AP02S1B4F35A	AP02A1B4F35A	159	361
5	0.6	AP06S1B5F35A	AP06A1B5F35A	55	119
	0.5	AP05S1B5F35A	AP05A1B5F35A	66	143
	0.4	AP04S1B5F35A	AP04A1B5F35A	81	179
	0.3	AP03S1B5F35A	AP03A1B5F35A	107	240
	0.25	AP025S1B5F35A	AP025A1B5F35A	128	289
	0.2	AP02S1B5F35A	AP02A1B5F35A	159	361
6	0.6	AP06S1B6F35A	AP06A1B6F35A	55	119
	0.5	AP05S1B6F35A	AP05A1B6F35A	66	143
	0.4	AP04S1B6F35A	AP04A1B6F35A	81	179
	0.3	AP03S1B6F35A	AP03A1B6F35A	107	240
	0.25	AP025S1B6F35A	AP025A1B6F35A	128	289
	0.2	AP02S1B6F35A	AP02A1B6F35A	159	361

General Information

All dimensions in mm
 General tolerances: ±0.13mm
 Material:
 Stainless steel or Aluminium alloy
 Pressure angle 20°

Associated Products

Pin hub gears
 Shafts
 Bearings
 Visit our online catalogue for associated products

www.rpmechatronics.co.uk