



Anti-backlash Pin Hub Gears

8 - 10mm Bore

General Information

All dimensions in mm
General tolerances:
±0.13mm

Material:
Stainless steel
or
Aluminium alloy

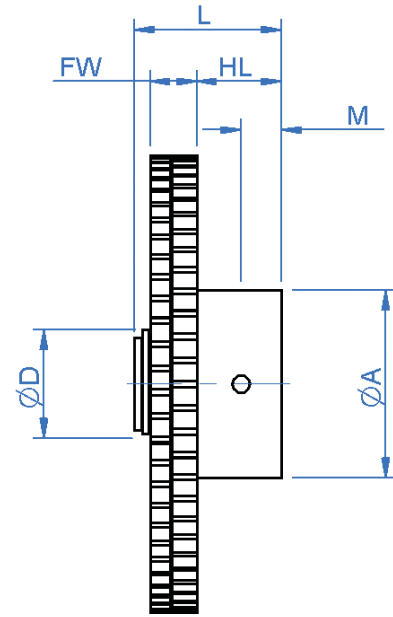
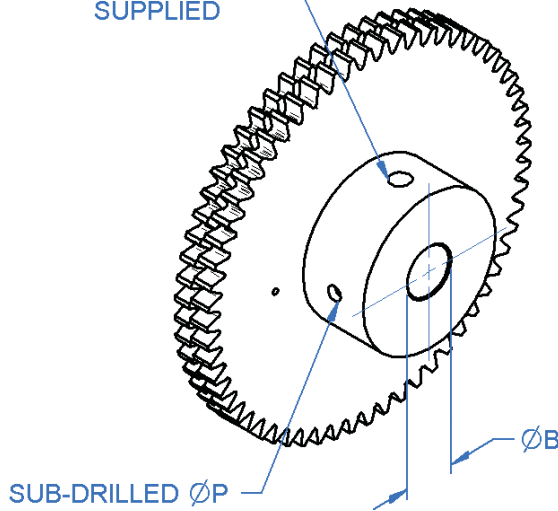
Pressure angle 20°

Associated Products

Pin hub gears
Shafts
Bearings

Visit our online catalogue for associated products

SKT. HD. SET
SCREW S
SUPPLIED



Drawing dimension table

Bore Size Nom	Bore Dia ØB	Overall Length L	Gear Face Width FW	Hub Dia ØA	Clearance ØD Max	Hub Length HL	Hole Position M	Set Screw S	Sub-Drill ØP
8	8.003 7.995	20.00	6.65	25.40	18.80	11.88 11.20	5.50	M4	2.40
10	10.003 9.995		6.17					M5	

- Standard gear quality AQ10 - see page 56.
- Material and treatment specifications - see page 59.

Non-standard options, please enquire....

- Higher gear qualities - see page 56.
- Alternative modules.
- Imperial diametral pitches.
- Imperial bore size 5/16" & 3/8".

www.rpmechatronics.co.uk

Standard Product Sales : ☎ +44 (0)1484 601060 📧 +44 (0)1484 601061
www.rpmechatronics.co.uk sales@rpmechatronics.co.uk

© Reliance Precision Mechatronics LLP

Anti-backlash Pin Hub Gears



Part number selection table

Example Part No:- **AP06S1B8F61A- 60**

Bore Size Nom	Standard Modules	Basic Part Number Standard Materials		Number of Teeth	
		Stainless Steel	Aluminium Alloy	Min	Max
8	0.6	AP06S1B8F61A	AP06A1B8F61A	48	127
	0.5	AP05S1B8F61A	AP05A1B8F61A	56	152
	0.4	AP04S1B8F61A	AP04A1B8F61A	70	190
	0.3	AP03S1B8F61A	AP03A1B8F61A	92	254
	0.25	AP025S1B8F61A	AP025A1B8F61A	110	304
	0.2	AP02S1B8F61A	AP02A1B8F61A	136	381
10	0.6	AP06S1B10F61A	AP06A1B10F61A	48	127
	0.5	AP05S1B10F61A	AP05A1B10F61A	56	152
	0.4	AP04S1B10F61A	AP04A1B10F61A	70	190
	0.3	AP03S1B10F61A	AP03A1B10F61A	92	254
	0.25	AP025S1B10F61A	AP025A1B10F61A	110	304
	0.2	AP02S1B10F61A	AP02A1B10F61A	136	381

General Information

All dimensions in mm
 General tolerances: ±0.13mm
 Material: Stainless steel or Aluminium alloy
 Pressure angle 20°

Associated Products

Pin hub gears
 Shafts
 Bearings
 Visit our online catalogue for associated products



www.rpmechatronics.co.uk