



# Pin Hub Spur Gear

2 - 5mm Bore

## General Information

All dimensions in mm  
General tolerances:  
±0.13mm

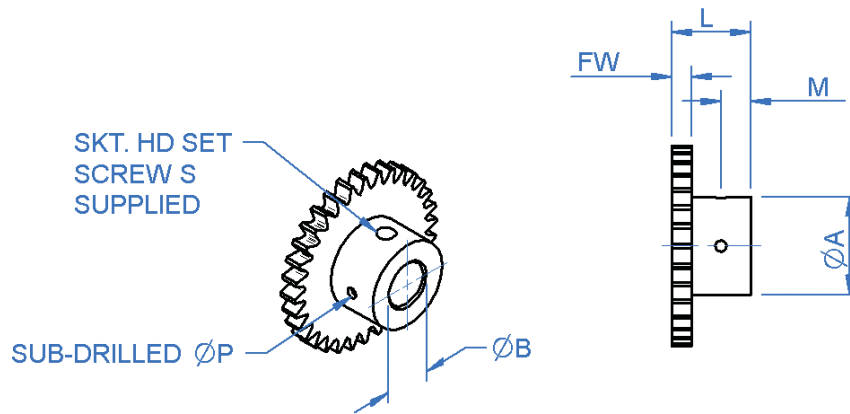
Material:  
Stainless steel  
or  
Aluminium alloy

Pressure angle 20°

## Associated Products

Anti-backlash gears  
Shafts  
Bearings  
Gear clamps

Visit our online catalogue for associated products



Drawing dimension table

Bore Size Nom	Bore Dia ØB	Overall Length L	Gear Face Width FW	Boss Dia ØA	Hole Position M	Set Screw S	Sub-Drill ØP
2	2.003	7	2	7.00	2.70 2.30	M1.6	0.8
	1.995	9	4				
3	3.003	7	2	8.00	3.20 2.80	M2	
	2.995	9	4				
4	4.003	8	2	9.00	3.20 2.80	M2.5	
	3.995	10	4				
5	5.003	8	2	10.00	3.20 2.80	M2.5	
	4.995	10	4				

- Standard gear quality AQ10 - see page 56.
- Material and treatment specifications - see page 59.

### Non-standard options, please enquire....

- Higher gear qualities - see page 56.
- Alternative modules.
- Imperial diametral pitches.
- Imperial bore sizes 5/64", 0.120" ,1/8" & 3/16".

www.rpmechatronics.co.uk

Standard Product Sales : ☎ +44 (0)1484 601060 📠 +44 (0)1484 601061  
[www.rpmechatronics.co.uk](http://www.rpmechatronics.co.uk) [sales@rpmechatronics.co.uk](mailto:sales@rpmechatronics.co.uk)

© Reliance Precision Mechatronics LLP

## 2 - 5mm Bore

# Pin Hub Spur Gear



### Part number selection table

Example Part No:- <b>P06S1B5 F2A- 32</b>							
Bore Size Nom	Standard Modules	Basic Part Number Standard Materials		Face Width Dim FW	Number of Teeth		
		Stainless Steel	Aluminium Alloy		Min	Max	
				F2A		F4A	
2	0.6	P06S1B2	P06A1B2	F2A- (2mm) or F4A- (4mm)	15 †	56	127
	0.5	P05S1B2	P05A1B2		18	67	152
	0.4	P04S1B2	P04A1B2		21	85	190
	0.3	P03S1B2	P03A1B2		27	114	254
	0.25	P025S1B2	P025A1B2		31	137	304
	0.2	P02S1B2	P02A1B2		38	172	381
3	0.6	P06S1B3	P06A1B3	F2A- (2mm) or F4A- (4mm)	17	56	127
	0.5	P05S1B3	P05A1B3		20	67	152
	0.4	P04S1B3	P04A1B3		23	85	190
	0.3	P03S1B3	P03A1B3		30	114	254
	0.25	P025S1B3	P025A1B3		35	137	304
	0.2	P02S1B3	P02A1B3		43	172	381
4	0.6	P06S1B4	P06A1B4	F2A- (2mm) or F4A- (4mm)	19	56	127
	0.5	P05S1B4	P05A1B4		22	67	152
	0.4	P04S1B4	P04A1B4		26	85	190
	0.3	P03S1B4	P03A1B4		34	114	254
	0.25	P025S1B4	P025A1B4		39	137	304
	0.2	P02S1B4	P02A1B4		48	172	381
5	0.6	P06S1B5	P06A1B5	F2A- (2mm) or F4A- (4mm)	21	56	127
	0.5	P05S1B5	P05A1B5		24	67	152
	0.4	P04S1B5	P04A1B5		29	85	190
	0.3	P03S1B5	P03A1B5		37	114	254
	0.25	P025S1B5	P025A1B5		43	137	304
	0.2	P02S1B5	P02A1B5		53	172	381

### General Information

All dimensions in mm  
General tolerances:

±0.13mm

Material:

Stainless steel  
or  
Aluminium alloy

Pressure angle 20°

### Associated Products

Anti-backlash gears  
Shafts  
Bearings  
Gear clamps

Visit our online catalogue for associated products

www.rpmechatronics.co.uk

† Gears of 16 teeth or fewer will be modified, see page 63.



Standard Product Sales : ☎ +44 (0)1484 601060 📠 +44 (0)1484 601061  
www.rpmechatronics.co.uk sales@rpmechatronics.co.uk

© Reliance Precision Mechatronics LLP