



Bevel Gears

4mm Bore

General Information

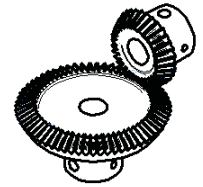
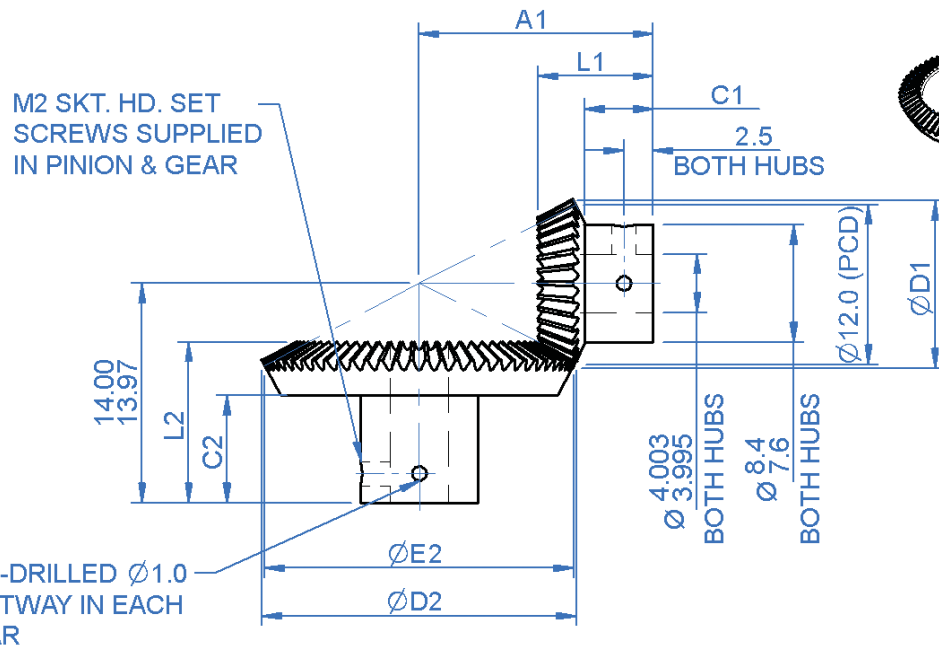
All dimensions in mm
 General tolerances:
 $\pm 0.13\text{mm}$
 Material:
 Stainless steel 303
 Pressure angle 20°

Associated Products

Shafts
 Bearings

Visit our online catalogue for associated products

www.rpmechatronics.co.uk



Drawing dimension table

Part Number (pair)	Overall Length ± 0.15		Outside Dia $+0.00 / -0.05$		Pitch Dia $\text{Gear } \text{ØE2}$	Hub Lengths ± 0.25		Distance to Apex $+0.00 / -0.03$
	Pinion L1	Gear L2	Pinion ØD1	Gear ØD2		Pinion C1	Gear C2	
M04N-1S	10.28	10.28	12.56	12.56	12.0	6.00	6.00	14.00
M04N-2S	9.86	9.50	12.96	24.23	24.0	6.00	5.00	19.00
M04N-3S	9.00	9.13	13.07	36.15	36.0	5.33	5.00	24.00
M04N-4S	8.03	8.91	13.11	48.11	48.0	4.50	5.00	29.00

Specifications table

Part Number (pair)	Ratio	Pitch (module)	Number of Teeth		Max. Tooth to Tooth Comp. Error (pair)	Max. Total Comp. Error (pair)
			Pinion	Gear		
M04N-1S	1:1	0.4	30	30	0.025	0.050
M04N-2S	2:1		30	60		
M04N-3S	3:1		30	90		
M04N-4S	4:1		30	120		

Standard Product Sales : +44 (0)1484 601060 +44 (0)1484 601061
www.rpmechatronics.co.uk sales@rpmechatronics.co.uk

© Reliance Precision Mechatronics LLP