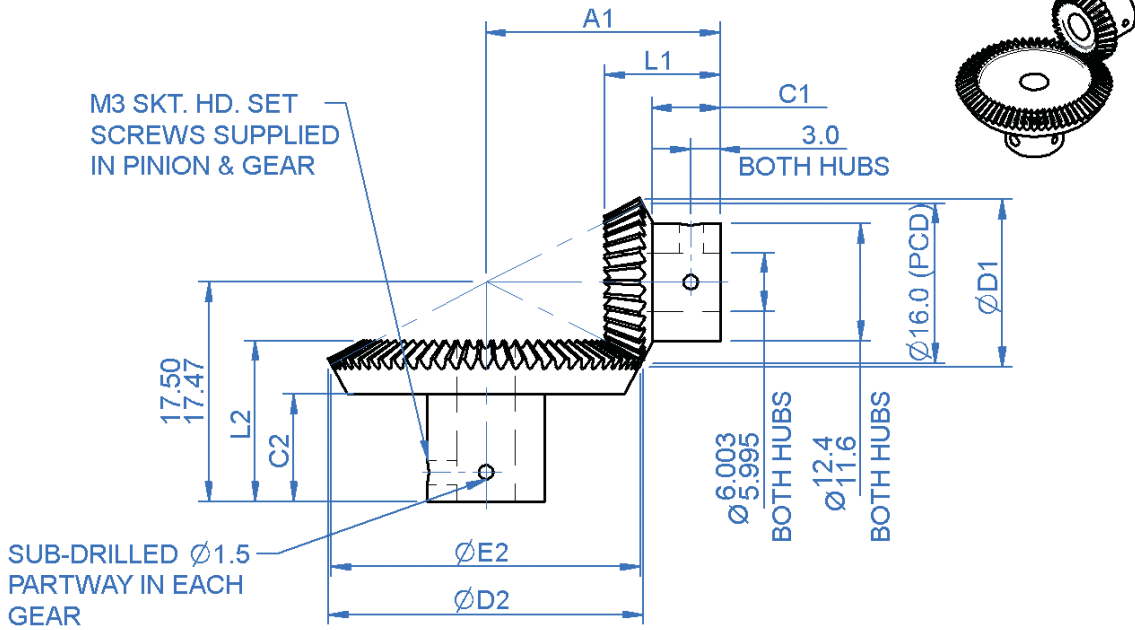


# Bevels Gears



### General Information

All dimensions in mm  
 General tolerances:  
 ±0.13mm  
 Material:  
 Stainless steel 303  
 Pressure angle 20°

### Associated Products

Shafts  
 Bearings

Visit our online catalogue for associated products

### Drawing dimension table

Part Number (pair)	Overall Length ±0.15		Outside Dia +0.00 / -0.05		Pitch Dia Gear ØE2	Hub Lengths ±0.25		Distance to Apex +0.00 / -0.03 Pinion A1
	Pinion L1	Gear L2	Pinion ØD1	Gear ØD2		Pinion C1	Gear C2	
<b>M05N-1S</b>	12.52	12.52	16.71	16.71	16.0	7.50	7.50	17.50
<b>M05N-2S</b>	11.80	11.49	17.20	32.29	32.0	7.00	6.00	24.00
<b>M05N-3S</b>	9.98	10.98	17.34	48.19	48.0	5.30	6.00	30.00
<b>M05N-4S</b>	10.03	10.70	17.39	64.14	64.0	5.50	6.00	38.00

### Specifications table

Part Number (pair)	Ratio	Pitch (module)	Number of Teeth		Max. Tooth to Tooth Comp. Error (pair)	Max. Total Comp. Error (pair)
			Pinion	Gear		
<b>M05N-1S</b>	1:1	0.5	32	32	0.025	0.050
<b>M05N-2S</b>	2:1		32	64		
<b>M05N-3S</b>	3:1		32	96		
<b>M05N-4S</b>	4:1		32	128		

www.rpmechatronics.co.uk