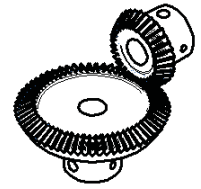
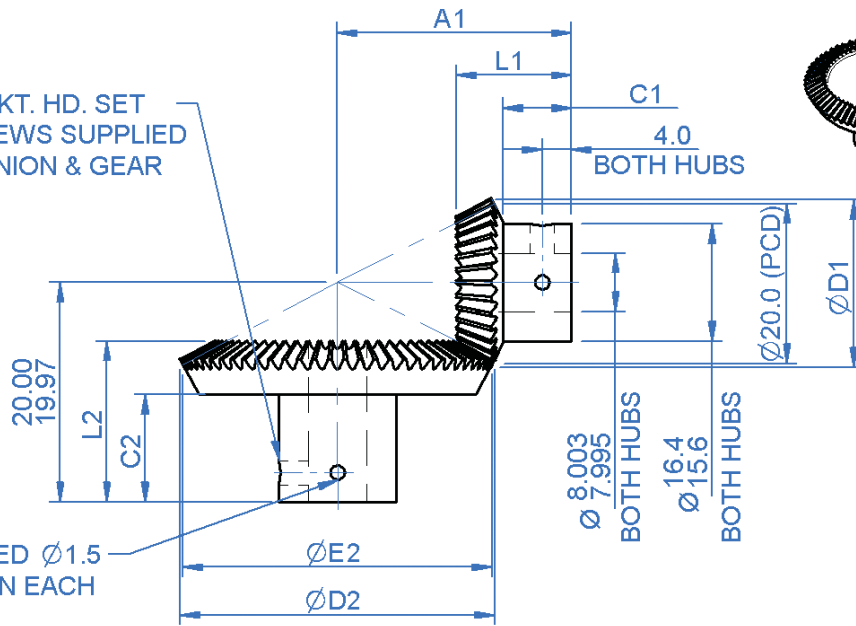




Bevel Gears

8mm Bore

M4 SKT. HD. SET
SCREWS SUPPLIED
IN PINION & GEAR



General Information

All dimensions in mm
General tolerances:
±0.13mm
Material:
Stainless steel 303
Pressure angle 20°

Associated Products

Shafts
Bearings

Visit our online catalogue for associated products

Drawing dimension table

Part Number (pair)	Overall Length ±0.15		Outside Dia +0.00 / -0.05		Pitch Dia Gear ØE2	Hub Lengths ±0.25		Distance to Apex +0.00 / -0.03 Pinion A1
	Pinion L1	Gear L2	Pinion ØD1	Gear ØD2		Pinion C1	Gear C2	
M08N-1S	14.51	14.51	21.13	21.13	20.0	8.30	8.30	20.00
M08N-2S	15.70	13.00	21.93	40.47	40.0	9.00	7.50	30.00

Specifications table

Part Number (pair)	Ratio	Pitch (module)	Number of Teeth		Max. Tooth to Tooth Comp. Error (pair)	Max. Total Comp. Error (pair)
			Pinion	Gear		
M08N-1S	1:1	0.8	25	25	0.025	0.050
M08N-2S	2:1		25	50		

www.rpmechatronics.co.uk

Standard Product Sales : +44 (0)1484 601060 +44 (0)1484 601061
www.rpmechatronics.co.uk sales@rpmechatronics.co.uk

© Reliance Precision Mechatronics LLP