



# Pick-off Gear

## Metric - Large Pitches

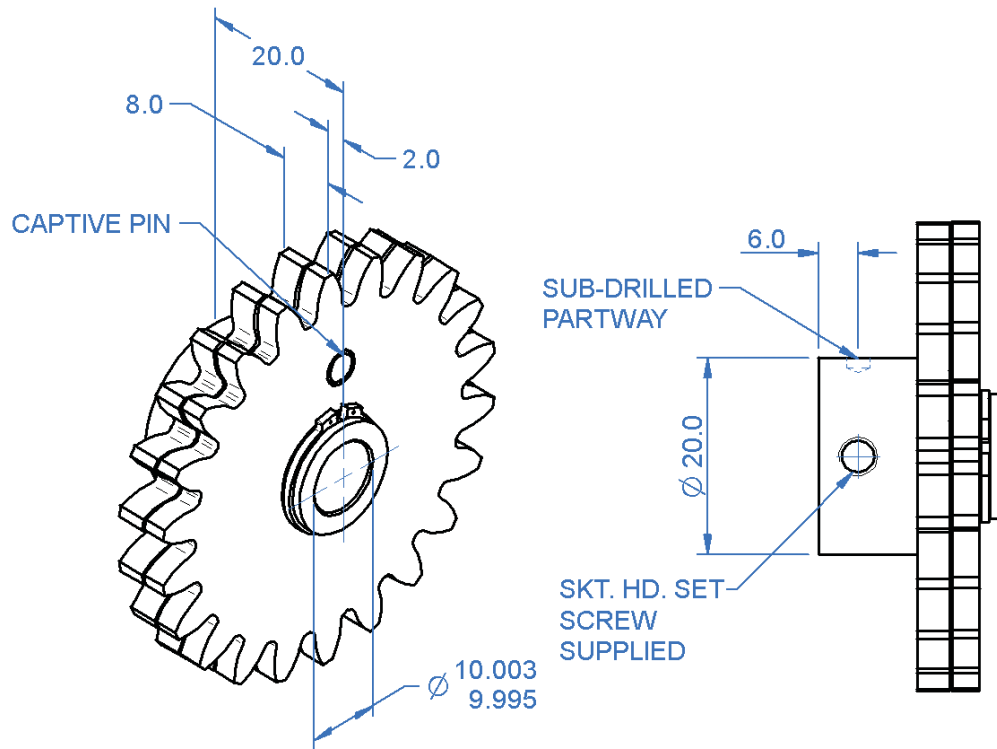
### General Information

All dimensions in mm  
 General tolerances:  
 $\pm 0.13\text{mm}$   
 Material:  
 Stainless steel or  
 Aluminium alloy  
 Pressure angle  $20^\circ$

### Associated Products

Shafts  
 Bearings  
 Spur gears  
 Pins

Visit our online catalogue for associated products



## Typical component

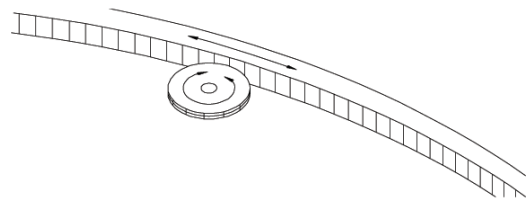
### Process Capabilities:

Stainless steel or aluminium alloy.

Module range: 2 to 8 mod.

Pitch diameters from 60 to 120 mm.

Standard gear quality AQ9.



### Features:

Anti-backlash mechanism.

Compact, cost effective angular measurement.

Ideal for large diameter gear driven turntables.

www.rpmechatronics.co.uk

Standard Product Sales : ☎ +44 (0)1484 601060 📠 +44 (0)1484 601061  
 www.rpmechatronics.co.uk sales@rpmechatronics.co.uk

© Reliance Precision Mechatronics LLP