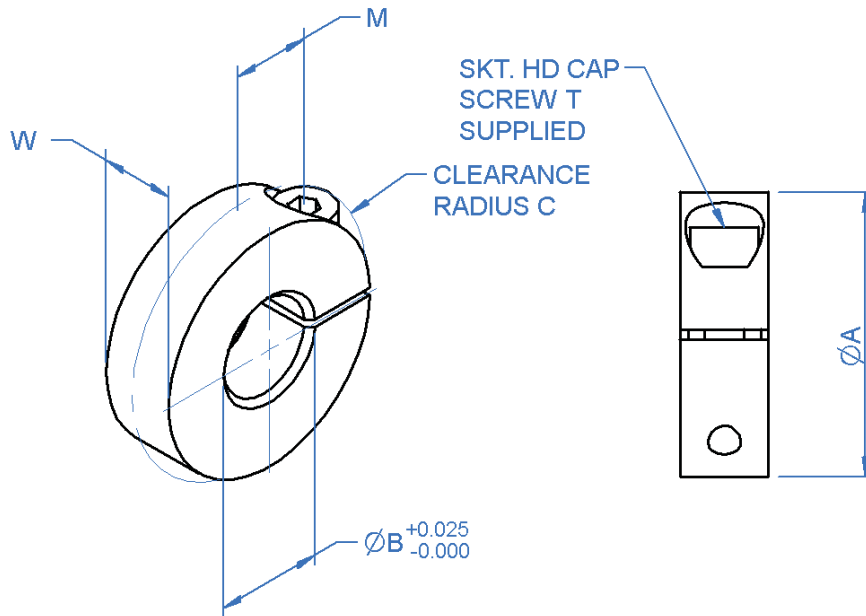


Gear Clamps - Low Inertia



General Information

All dimensions in mm
 General tolerances:
 $\pm 0.13\text{mm}$
 Material:
 Aluminium alloy
 L168

Associated Products

Clamp hub gears

Visit our online catalogue for associated products

Part number selection table

Part Number	To suit gear of bore dia	Bore ØB	O.Dia ØA	Width W	Clearance radius C	Screw supplied T	Screw offset M
CGAM-2A	2	3.6	12.0	5.0	7.2	M2	3.5
CGAM-3A	3	4.6	13.0		7.8		4.0
CGAM-4A	4	5.6	17.0	7.0	10.0	M3	5.0
CGAM-5A	5	6.6	18.0		10.6		5.5
CGAM-6A	6	7.6	19.0		11.3		6.2
CGAM-8A	8	9.6	24.0	9.0	13.8	M4	7.5
CGAM-10A	10	11.6	26.0		14.8		8.5
CGAM-12A	12	13.6	28.0		16.2		9.8

- Used with standard clamp hub style gears and pinions.

Non-standard options, please enquire....

- Imperial bores.

www.rpmechatronics.co.uk

Standard Product Sales : +44 (0)1484 601060 +44 (0)1484 601061
www.rpmechatronics.co.uk sales@rpmechatronics.co.uk

© Reliance Precision Mechatronics LLP