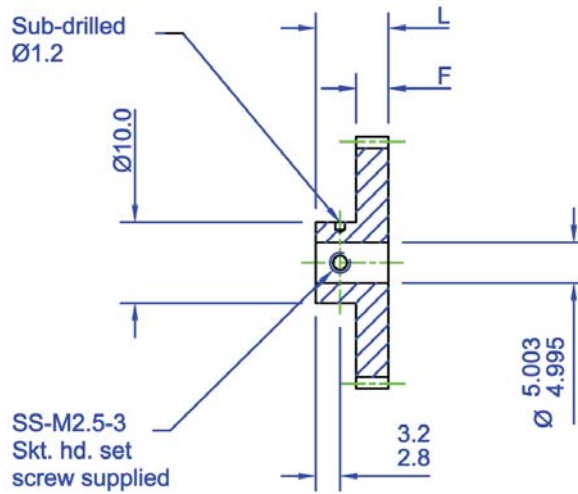




All dimensions in mm  
 General tolerances  $\pm 0.13\text{mm}$   
 Pressure angle  $20^\circ$

**Associated Online Products**  
 Shafts  
 Bearings  
 Spur gears  
 Pins

When F=2, L=8  
 F=4, L=10



4

Part number selection table

Example Part No:-					
		P06S9B5	F2A-	25	
Standard Modules	Basic Part Number		Face Width	Number of Teeth	
	Hardened Stainless Steel	Dim F	Min	Max	
				F2A	F4A
1.50	P150S9B5	F2A- (2mm) or F4A- (4mm)	14 †	21	72
1.25	P125S9B5		14 †	25	86
1.0	P10S9B5		15 †	32	109
0.8	P08S9B5		17	41	136
0.6	P06S9B5		21	56	183
0.5	P05S9B5		24	67	220
0.4	P04S9B5		29	85	275
0.3	P03S9B5		37	114	368
0.25	P025S9B5		43	137	442
0.2	P02S9B5		53	172	553

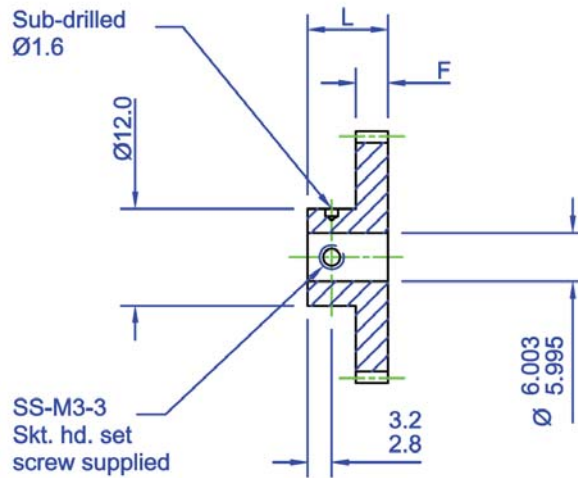
† Gears of 16 teeth or fewer will be modified, see page 109

- Standard gear quality AQ10 (AQ9 for 1.5 mod) - see page 102
- Material : Stainless steel 17-4 PH, hardened to 36-40 HRc
- Material and treatment specifications - see page 105
- Higher gear qualities - see page 102
- Imperial diametral pitches available
- Imperial 3/16" bore available

### Associated Online Products

Shafts  
Bearings  
Spur gears  
Pins

All dimensions in mm  
General tolerances  $\pm 0.13\text{mm}$   
Pressure angle  $20^\circ$



When F=3, L=9  
F=4, L=10  
F=6, L=12

4

### Part number selection table

Example Part No:-				
<span style="margin-right: 100px;"><u>P06S9B6</u></span> <span style="margin-right: 50px;"><u>F4A-</u></span> <span><u>25</u></span>				
Standard Modules	Basic Part Number	Face Width	Number of Teeth	
	Hardened Stainless Steel	Dim F	Min	Max
1.50	<b>P150S9B6</b>	<b>F3A-</b> (3mm)	<b>14 †</b>	<b>72</b>
1.25	<b>P125S9B6</b>		<b>15 †</b>	<b>86</b>
1.0	<b>P10S9B6</b>		<b>16 †</b>	<b>109</b>
0.8	<b>P08S9B6</b>	or	<b>19</b>	<b>136</b>
0.6	<b>P06S9B6</b>	<b>F4A-</b> (4mm)	<b>23</b>	<b>183</b>
0.5	<b>P05S9B6</b>		<b>27</b>	<b>220</b>
0.4	<b>P04S9B6</b>	or	<b>33</b>	<b>275</b>
0.3	<b>P03S9B6</b>	or	<b>43</b>	<b>368</b>
0.25	<b>P025S9B6</b>	<b>F6A-</b> (6mm)	<b>50</b>	<b>442</b>
0.2	<b>P02S9B6</b>		<b>62</b>	<b>553</b>

† Gears of 16 teeth or fewer will be modified, see [page 109](#)

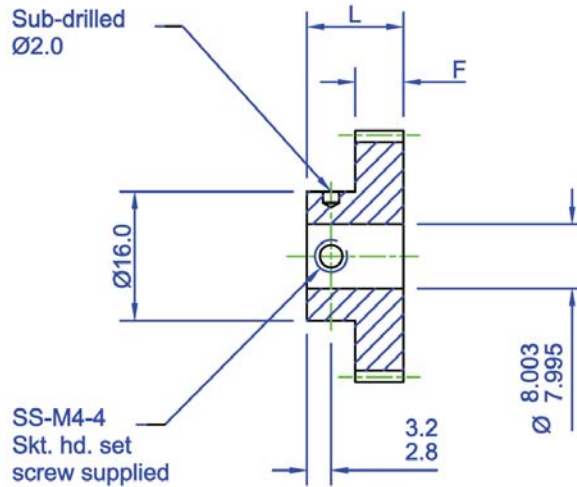
- Standard gear quality AQ10 (AQ9 for 1.5 mod) - see [page 102](#)
- Material : Stainless steel 17-4 PH, hardened to 36-40 HRc
- Material and treatment specifications - see [page 105](#)
- Higher gear qualities - see [page 102](#)
- Imperial diametral pitches available
- Imperial 1/4" bore available



All dimensions in mm  
 General tolerances  $\pm 0.13\text{mm}$   
 Pressure angle  $20^\circ$

**Associated Online Products**  
 Shafts  
 Bearings  
 Spur gears  
 Pins

When F=4, L=10  
 F=6, L=12



4

Part number selection table

Example Part No:-				
	<b>P06S9B8</b>	<b>F4A-</b>	<b>50</b>	
Standard Modules	Basic Part Number	Face Width	Number of Teeth	
	Hardened Stainless Steel	Dim F	Min	Max
1.50	<b>P150S9B8</b>	F4A- (4mm) or F6A- (6mm)	<b>16 †</b>	<b>72</b>
1.25	<b>P125S9B8</b>		<b>17</b>	<b>86</b>
1.0	<b>P10S9B8</b>		<b>20</b>	<b>109</b>
0.8	<b>P08S9B8</b>		<b>24</b>	<b>136</b>
0.6	<b>P06S9B8</b>		<b>30</b>	<b>183</b>
0.5	<b>P05S9B8</b>		<b>35</b>	<b>220</b>
0.4	<b>P04S9B8</b>		<b>43</b>	<b>275</b>
0.3	<b>P03S9B8</b>		<b>56</b>	<b>368</b>
0.25	<b>P025S9B8</b>		<b>66</b>	<b>442</b>
0.2	<b>P02S9B8</b>		<b>85</b>	<b>553</b>

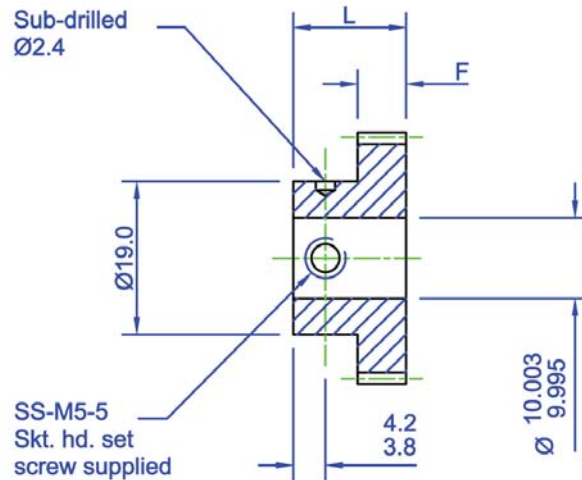
† Gears of 16 teeth or fewer will be modified, see page 109

- Standard gear quality AQ10 (AQ9 for 1.5 mod) - see page 102
- Material : Stainless steel 17-4 PH, hardened to 36-40 HRc
- Material and treatment specifications - see page 105
- Higher gear qualities - see page 102
- Imperial diametral pitches available
- Imperial 5/16" bore available

### Associated Online Products

Shafts  
Bearings  
Spur gears  
Pins

All dimensions in mm  
General tolerances  $\pm 0.13\text{mm}$   
Pressure angle  $20^\circ$



When  $F=4, L=12$   
 $F=6, L=14$

### Part number selection table

Example Part No:-				
<span style="margin-right: 100px;"><u>P06S9B10</u></span> <span style="margin-right: 50px;"><u>F4A-</u></span> <span><u>65</u></span>				
Standard Modules	Basic Part Number	Face Width	Number of Teeth	
	Hardened Stainless Steel	Dim F	Min	Max
1.50	<b>P150S9B10</b>	<b>F4A-</b> (4mm)  or  <b>F6A-</b> (6mm)	<b>17</b>	<b>72</b>
1.25	<b>P125S9B10</b>		<b>19</b>	<b>86</b>
1.0	<b>P10S9B10</b>		<b>22</b>	<b>109</b>
0.8	<b>P08S9B10</b>		<b>27</b>	<b>136</b>
0.6	<b>P06S9B10</b>		<b>34</b>	<b>183</b>
0.5	<b>P05S9B10</b>		<b>40</b>	<b>220</b>
0.4	<b>P04S9B10</b>		<b>50</b>	<b>275</b>
0.3	<b>P03S9B10</b>		<b>65</b>	<b>368</b>
0.25	<b>P025S9B10</b>		<b>77</b>	<b>442</b>
0.2	<b>P02S9B10</b>		<b>95</b>	<b>553</b>

- Standard gear quality AQ10 (AQ9 for 1.5 mod) - see [page 102](#)
- Material : Stainless steel 17-4 PH, hardened to 36-40 HRc
- Material and treatment specifications - see [page 105](#)
- Higher gear qualities - see [page 102](#)
- Imperial diametral pitches available
- Imperial 3/8" bore available