



Plain Miniature Leadscrews

Size 3 & 5

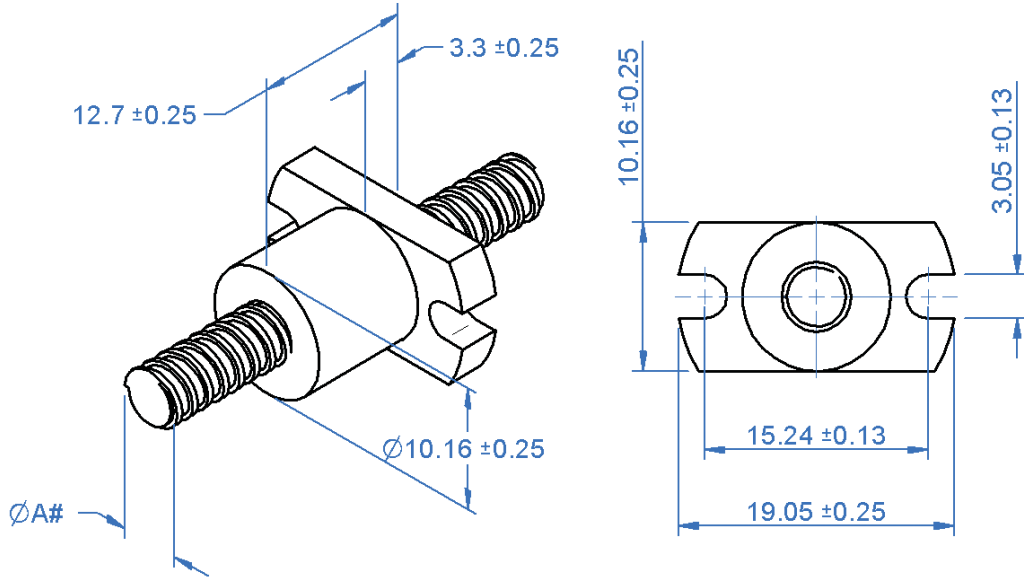
General Information

All dimensions in mm
General tolerances:
 $\pm 0.13\text{mm}$
Material:
Screw - Stainless steel 303.
Nut - Polyacetal
Standard lead:
Right hand

Associated Products

Reli-a-Flex® couplings
Linear bearings
Linear slides
Stepper motors
Plain bearings

Visit our online catalogue for associated products at:



- Precision rolled thread for greater accuracy.
- Polyacetal nut with lubricating additive for longer life.
- Standard lead accuracy 0.0006mm/mm.
- Repeatability 0.0015mm.

Non-standard options, please enquire....

- Low friction TFE coating extends nut life by 300%, add **-TFE** to part number.

www.rpmechatronics.co.uk

Standard Product Sales : ☎ +44 (0)1484 601060 📠 +44 (0)1484 601061
www.rpmechatronics.co.uk sales@rpmechatronics.co.uk

© Reliance Precision Mechatronics LLP

Plain Miniature Leadscrews



Part number selection table

Example Part No:- LBF5-M005 - 100mm or LBF5-0192 - 100mm

Leadscrew Dia ØA# (Series)	Metric Leads			Inch Leads			Unloaded Friction Torque
	Lead	Eff.‡ %	Basic Part No.	Lead	Eff.‡ %	Basic Part No.	
3.18mm (LBF3)				0.0120"	26	LBF3-0012	<0.007Nm
				0.0240"	43	LBF3-0024	
				0.0480"	61	LBF3-0048	
				0.0750"	70	LBF3-0075	
				0.0960"	75	LBF3-0096	
				0.3750"	85	LBF3-0375	
4.76mm (LBF5)	0.50mm 10.85mm	30 85	LBF5-M005 LBF5-M109	0.0240"	31	LBF5-0024	<0.007Nm
				0.0313"	39	LBF5-0031	
				0.0480"	50	LBF5-0048	
				0.0500"	52	LBF5-0050	
				0.0960"	66	LBF5-0096	
				0.1875"	78	LBF5-0188	
				0.1920"	78	LBF5-0192	
				0.2500"	81	LBF5-0250	
				0.3750"	84	LBF5-0375	

General Information

All dimensions in mm
 General tolerances:
 ±0.13mm
 Material:
 Screw - Stainless steel 303.
 Nut - Polyacetal
 Standard lead:
 Right hand

Associated Products

Reli-a-Flex® couplings
 Linear bearings
 Linear slides
 Stepper motors
 Plain bearings
 Visit our online catalogue for associated products at:

‡ Efficiencies quoted are maximum theoretical - see page 54.
 # Thread dimensions are lead dependant - see page 14.

For leadscrew lengths up to 450mm, add required length to basic part number.

www.rpmechatronics.co.uk