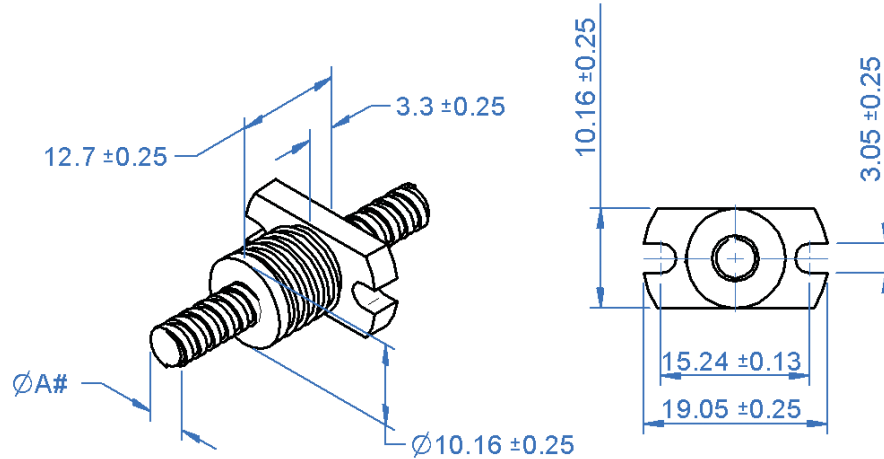




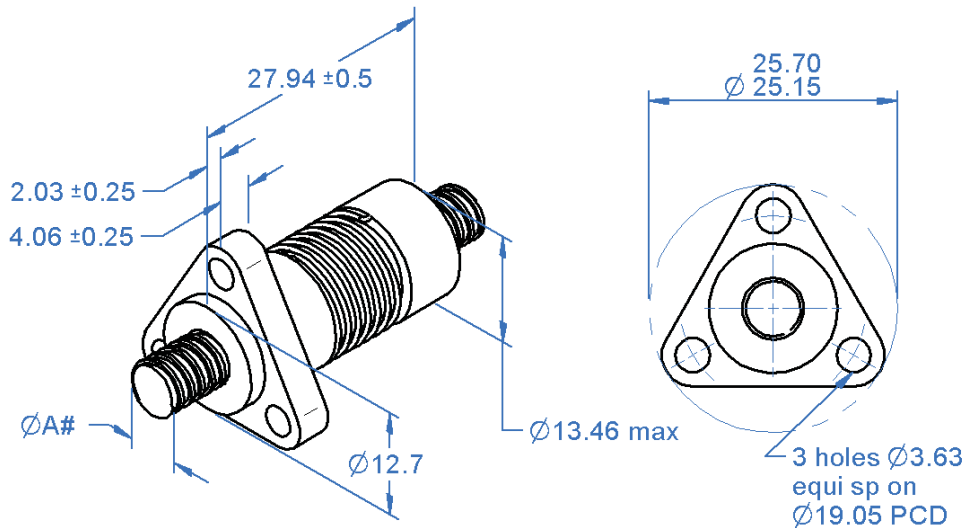
Anti-backlash Miniature Leadscrews

Sizes 3, 5 & 6

Anti-backlash, sizes 3 & 5



Anti-backlash, size 6



- Precision rolled thread for greater accuracy.
- Polyacetal nut with lubricating additive for longer life.
- Standard lead accuracy 0.0006mm/mm.
- Repeatability 0.0015mm.

Non-standard options, please enquire....

- Low friction TFE coating extends nut life by 300%, add **-TFE** to part number.
- Some leadscrews available with left hand thread, † add **-LH** to part number.

General Information

All dimensions in mm
General tolerances:
±0.13mm
Material:
Screw - Stainless steel 303.
Nut - Polyacetal
Standard lead:
Right hand

Associated Products

Reli-a-Flex® couplings
Linear bearings
Linear slides
Stepper motors
Plain bearings

Visit our online catalogue for associated products at:

www.rpmechatronics.co.uk

Standard Product Sales : ☎ +44 (0)1484 601060 📠 +44 (0)1484 601061
www.rpmechatronics.co.uk sales@rpmechatronics.co.uk

© Reliance Precision Mechatronics LLP

Anti-backlash Miniature Leadscrews



Part number selection table

Example Part No:- [LNTBF5-M005 - 100mm](#) or [LNTBF5-0192 - 100mm](#)

Leadscrew Dia ØA# (Series)	Metric Leads			Inch Leads			Unloaded Friction Torque
	Lead	Eff. ‡ %	Basic Part No.	Lead	Eff. ‡ %	Basic Part No.	
3.18mm (LNTBF3) (size 3)				0.0120"	26	LNTBF3-0012	<0.007Nm
				0.0240"	43	LNTBF3-0024	
				0.0480"	61	LNTBF3-0048	
				0.0750"	70	LNTBF3-0075	
				0.0960"	75	LNTBF3-0096	
				0.3750"	85	LNTBF3-0375	
4.76mm (LNTBF5) (size 5)	0.50mm 10.85mm	30 85	LNTBF5-M005 LNTBF5-M109	0.0240"	31	LNTBF5-0024	<0.007Nm
				0.0313"	39	LNTBF5-0031	
				0.0480"	50	LNTBF5-0048	
				0.0500"	52	LNTBF5-0050	
				0.0960"	66	LNTBF5-0096	
				0.1875"	78	LNTBF5-0188	
				0.1920"	78	LNTBF5-0192	
				0.2500"	81	LNTBF5-0250	
				0.3750"	84	LNTBF5-0375	
	6.35mm (LNTBF6) (size 6)	1.0mm 1.5mm 2.0mm 3.0mm 10.0mm	40 52 59 68 78	LNTBF6-M010 LNTBF6-M015 LNTBF6-M020 LNTBF6-M030 LNTBF6-M100	0.0250"	30	
0.0357"					35	LNTBF6-0036	
0.0500"†					46	LNTBF6-0050	
0.0625"					52	LNTBF6-0063	
0.1000"					62	LNTBF6-0100	
0.2000"					65	LNTBF6-0200	
0.2500"†					79	LNTBF6-0250	
0.4000"					84	LNTBF6-0400	
0.5000"†					85	LNTBF6-0500	
0.7500"					86	LNTBF6-0750	
1.0000"	84	LNTBF6-1000					

General Information

All dimensions in mm
General tolerances:
±0.13mm
Material:
Screw - Stainless steel 303.
Nut - Polyacetal
Standard lead:
Right hand

Associated Products

Reli-a-Flex® couplings
Linear bearings
Linear slides
Stepper motors
Plain bearings
Visit our online catalogue for associated products at:

www.rpmechatronics.co.uk

‡ Efficiencies quoted are maximum theoretical - see page 54.
Thread dimensions are lead dependant - see page 14.

For leadscrew lengths up to 450mm for LNTBF3 & LNTBF5 and lengths up to 1000mm for LNTBF6, add required length to basic part number.