



# Light Duty Anti-backlash Leadscrews

Sizes 6 - 13

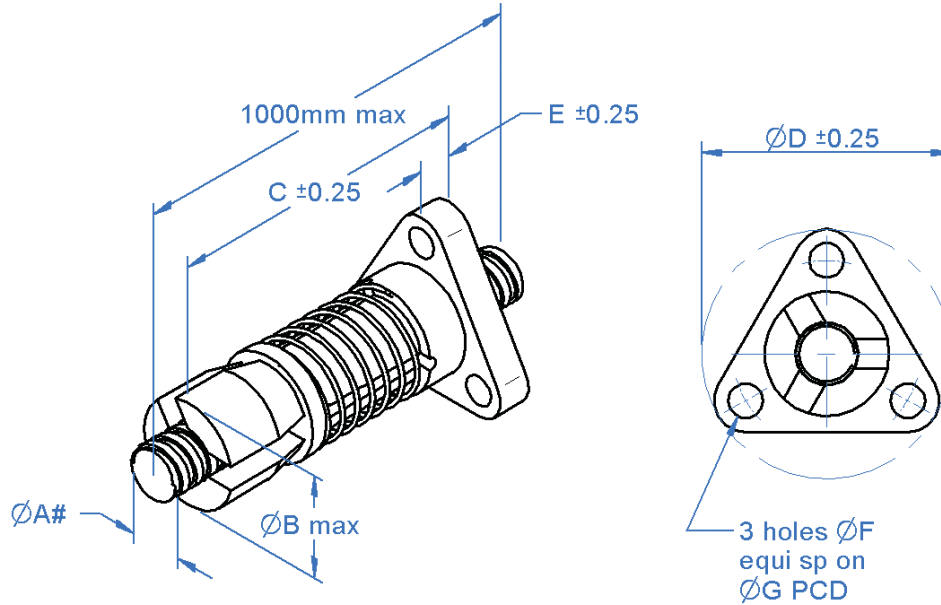
## General Information

All dimensions in mm  
 General tolerances:  
 ±0.13mm  
 Material:  
 Screw - Stainless steel 303.  
 Nut - Polyacetal  
 Standard lead:  
 Right hand

## Associated Products

Reli-a-Flex® couplings  
 Linear bearings  
 Linear slides  
 Stepper motors  
 Plain bearings

Visit our online catalogue for associated products at:



## Drawing dimension table

Leadscrew Series	Screw Dia ØA#	Flange Dia ØD	Flange Width E	Nut Dia ØB	Nut Length C	Mounting Holes ØF	Mounting Hole PCD ØG
LAF6	6.35	25.40	4.57	12.70	25.40	3.63	19.05
LAF10	9.53	38.10	4.57	17.78	48.26	5.08	28.58
LAF11	11.11	38.10	4.57	20.32	48.26	5.08	28.58
LAF13	12.70	41.15	6.60	22.61	50.80	5.08	31.75

- Precision rolled thread for greater accuracy.
- Polyacetal nut with lubricating additive for longer life.
- Life >7.5x10<sup>6</sup> metres travel based on 25% of rated load.
- Unique anti-backlash nut design with low frictional drag torque and high axial stiffness.
- Standard lead accuracy 0.0006mm/mm.
- Repeatability 0.0015mm.

## Non-standard options, please enquire....

- Low friction TFE coating extends nut life by 300%, add **-TFE** to part number.
- Lead screw end modifications - see page 15.
- Higher lead accuracies (0.0001mm/mm).
- Special leads.
- Imperial leads.
- Leadscrews with left hand thread.
- Aluminium alloy leadscrews.

www.rpmechatronics.co.uk

Standard Product Sales : ☎ +44 (0)1484 601060 📠 +44 (0)1484 601061  
 www.rpmechatronics.co.uk sales@rpmechatronics.co.uk

© Reliance Precision Mechatronics LLP



Part number selection table

Example Part No:- [LAF6-M015 - 300mm](#)

Leadscrew Dia ØA# (Series)	Metric Leads			Rated Load	Unloaded Friction Torque
	Lead	Eff.‡ %	Basic Part No.		
<b>6.35mm</b> (LAF6) (size 6)	1.0mm	40	<a href="#">LAF6-M010</a>	20N	0.004Nm to 0.010Nm
	1.5mm	52	<a href="#">LAF6-M015</a>		
	2.0mm	59	<a href="#">LAF6-M020</a>		
	3.0mm	68	<a href="#">LAF6-M030</a>		
	10.0mm	78	<a href="#">LAF6-M100</a>		
<b>9.53mm</b> (LAF10) (size 10)	1.4mm	38	<a href="#">LAF10-M014</a>	50N	0.010Nm to 0.020Nm
	2.0mm	47	<a href="#">LAF10-M020</a>		
	4.0mm	65	<a href="#">LAF10-M040</a>		
	5.0mm	69	<a href="#">LAF10-M050</a>		
	12.0mm	82	<a href="#">LAF10-M120</a>		
	25.0mm	84	<a href="#">LAF10-M250</a>		
<b>11.11mm</b> (LAF11) (size 11)	2.0mm	42	<a href="#">LAF11-M020</a>	70N	0.015Nm to 0.030Nm
	3.0mm	52	<a href="#">LAF11-M030</a>		
	5.0mm	65	<a href="#">LAF11-M050</a>		
	6.0mm	70	<a href="#">LAF11-M060</a>		
	10.0mm	77	<a href="#">LAF11-M100</a>		
	12.0mm	80	<a href="#">LAF11-M120</a>		
<b>12.70mm</b> (LAF13) (size 13)	2.5mm	46	<a href="#">LAF13-M025</a>	110N	0.015Nm to 0.030Nm
	4.0mm	58	<a href="#">LAF13-M040</a>		
	5.0mm	62	<a href="#">LAF13-M050</a>		
	10.0mm	76	<a href="#">LAF13-M100</a>		
	16.0mm	80	<a href="#">LAF13-M160</a>		
	25.0mm	84	<a href="#">LAF13-M250</a>		

**General Information**

All dimensions in mm  
General tolerances:  
±0.13mm  
Material:  
Screw - Stainless steel 303.  
Nut - Polyacetal  
Standard lead:  
Right hand

**Associated Products**

Reli-a-Flex® couplings  
Linear bearings  
Linear slides  
Stepper motors  
Plain bearings

Visit our online catalogue for associated products at:

[www.rpmechatronics.co.uk](http://www.rpmechatronics.co.uk)

‡ Efficiencies quoted are maximum theoretical - see page 54.  
# Thread dimensions are lead dependant - see page 14.

For leadscrew lengths up to 1000mm, add required length to basic part number.

