



# Medium Duty Anti-backlash Leadscrews

Size 10

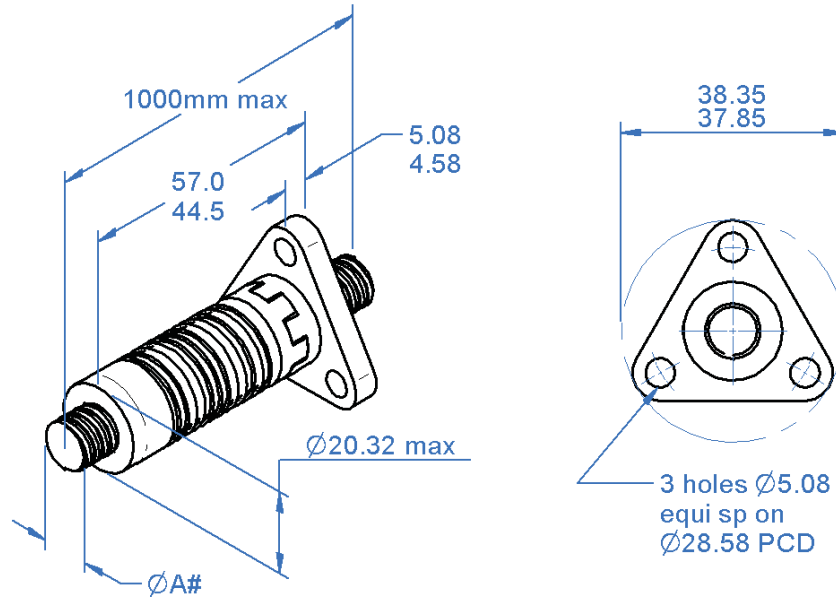
## General Information

All dimensions in mm  
General tolerances:  
±0.13mm  
Material:  
Screw - Stainless steel 303.  
Nut - Polyacetal  
Standard lead:  
Right hand

## Associated Products

Reli-a-Flex® couplings  
Linear bearings  
Linear slides  
Stepper motors  
Plain bearings

Visit our online catalogue for associated products at:



www.rpmechatronics.co.uk

- Precision rolled thread for greater accuracy.
- Polyacetal nut with lubricating additive for longer life.
- Life >7.5x10<sup>6</sup> metres travel based on 25% of rated load.
- Unique anti-backlash nut design with torsional take up increases load capacity and axial stiffness in comparison with the LAF series.
- Standard lead accuracy 0.0006mm/mm.
- Repeatability 0.0015mm.

## Non-standard options, please enquire....

- Low friction TFE coating extends nut life by 300%, add **-TFE** to part number.
- Lead screw end modifications - see page 15.
- Higher lead accuracies (0.0001mm/mm).
- Special leads.
- Imperial leads.
- Leadscrews with left hand thread.
- Aluminium alloy leadscrews.

Standard Product Sales : ☎ +44 (0)1484 601060 📧 +44 (0)1484 601061  
www.rpmechatronics.co.uk sales@rpmechatronics.co.uk

© Reliance Precision Mechatronics LLP



Part number selection table

Example Part No:- [LAK10-M050 - 300mm](#)

Leadscrew Dia ØA# (Series)	Metric Leads			Rated Load	Unloaded Friction Torque
	Lead	Eff.‡ %	Basic Part No.		
9.53mm (LAK10) (size 10)	1.4mm	38	<a href="#">LAK10-M014</a>	100N	0.007Nm to 0.020Nm
	2.0mm	47	<a href="#">LAK10-M020</a>		
	4.0mm	65	<a href="#">LAK10-M040</a>		
	5.0mm	69	<a href="#">LAK10-M050</a>		
	12.0mm	82	<a href="#">LAK10-M120</a>		
	25.0mm	84	<a href="#">LAK10-M250</a>		

General Information

All dimensions in mm  
General tolerances:  
±0.13mm  
Material:  
Screw - Stainless steel 303.  
Nut - Polyacetal  
Standard lead:  
Right hand

Associated Products

Reli-a-Flex® couplings  
Linear bearings  
Linear slides  
Stepper motors  
Plain bearings

Visit our online catalogue for associated products at:

‡ Efficiencies quoted are maximum theoretical - see page 54.  
# Thread dimensions are lead dependant - see page 14.

For leadscrew lengths up to 1000mm, add required length to basic part number.



www.rpmechatronics.co.uk