



Heavy Duty Anti-backlash Leadscrews

Sizes 13 & 16

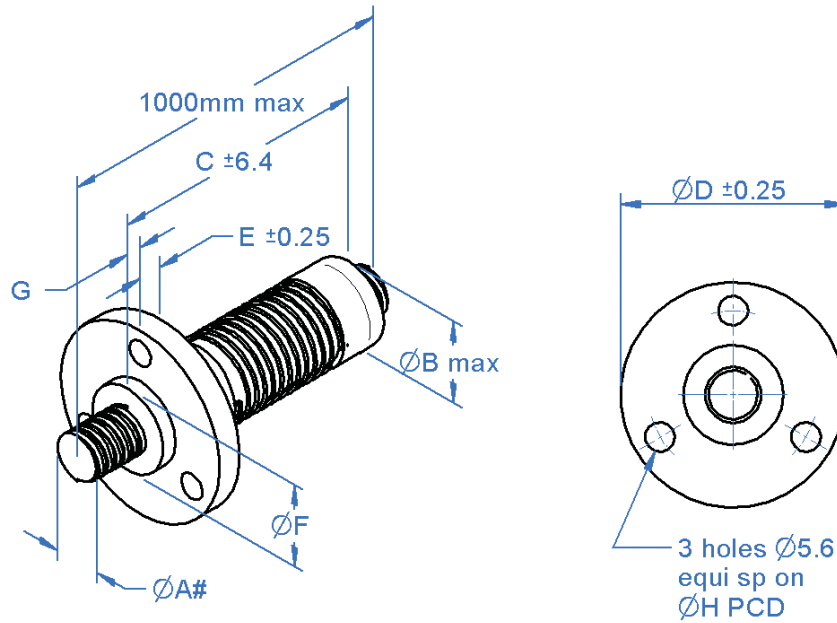
General Information

All dimensions in mm
 General tolerances:
 $\pm 0.13\text{mm}$
 Material:
 Screw - Stainless steel 303.
 Nut - Polyacetal with bronze anti-backlash mechanism.
 Standard lead:
 Right hand

Associated Products

Reli-a-Flex® couplings
 Linear bearings
 Linear slides
 Stepper motors
 Plain bearings

Visit our online catalogue for associated products at:



Drawing dimension table

Leadscrew Series	Screw Dia ØA#	Nut Dia ØB	Nut Length C	Flange Dia ØD	Flange Width E	Spigot Dia ØF	Spigot Length G	Mounting Hole PCD ØH
LAX13	12.70	28.45	58.42	44.45	5.84	23.62	3.05	35.71
LAX16	15.88	35.05	66.04	53.85	7.62	---	---	44.45

- Precision rolled thread for greater accuracy.
- Polyacetal nut with lubricating additive for longer life.
- Life $>7.5 \times 10^6$ metres travel based on 25% of rated load.
- Unique anti-backlash nut design, drag and wear associated with high pre-load forces reduced.
- Standard lead accuracy 0.0006mm/mm.
- Repeatability 0.0015mm.

Non-standard options, please enquire....

- Low friction TFE coating extends nut life by 300%, add **-TFE** to part number.
- Lead screw end modifications - see page 15.
- Higher lead accuracies (0.0001mm/mm).
- Special leads.
- Imperial leadscrews.
- Leadscrews with left hand thread.

www.rpmechatronics.co.uk

Standard Product Sales : ☎ +44 (0)1484 601060 📠 +44 (0)1484 601061
 www.rpmechatronics.co.uk sales@rpmechatronics.co.uk

© Reliance Precision Mechatronics LLP



Part number selection table

Example Part No:- [LAX13-M050 - 100mm](#)

Leadscrew Dia ØA# (Series)	Metric Leads			Rated Load	Unloaded Friction Torque
	Lead	Eff.‡ %	Basic Part No.		
12.70mm (LAX13) (size 13)	2.5mm	46	LAX13-M025	670N	0.01Nm to 0.02Nm
	4.0mm	58	LAX13-M040		
	5.0mm	62	LAX13-M050		
	10.0mm	76	LAX13-M100		
	16.0mm	80	LAX13-M160		
	25.0mm	84	LAX13-M250		
15.88mm (LAX16) (size 16)	8.0mm	68	LAX16-M080	1110N	0.01Nm to 0.02Nm
	16.0mm	78	LAX16-M160		

General Information

All dimensions in mm
 General tolerances:
 ±0.13mm
 Material:
 Screw - Stainless steel 303.
 Nut - Polyacetal with bronze anti-backlash mechanism.
 Standard lead:
 Right hand

Associated Products

Reli-a-Flex® couplings
 Linear bearings
 Linear slides
 Stepper motors
 Plain bearings

Visit our online catalogue for associated products at:

‡ Efficiencies quoted are maximum theoretical - see page 54.
 # Thread dimensions are lead dependant - see page 14.

For leadscrew lengths up to 1000mm, add required length to basic part number.



The LAX series leadscrews incorporate an anti-backlash nut with a unique axial take-up mechanism. This gives a self wear compensating unit which has extremely low frictional drag torque, yet high axial stiffness.

www.rpmechatronics.co.uk