



Plain Low Friction Leadscrews

Sizes 6 - 13

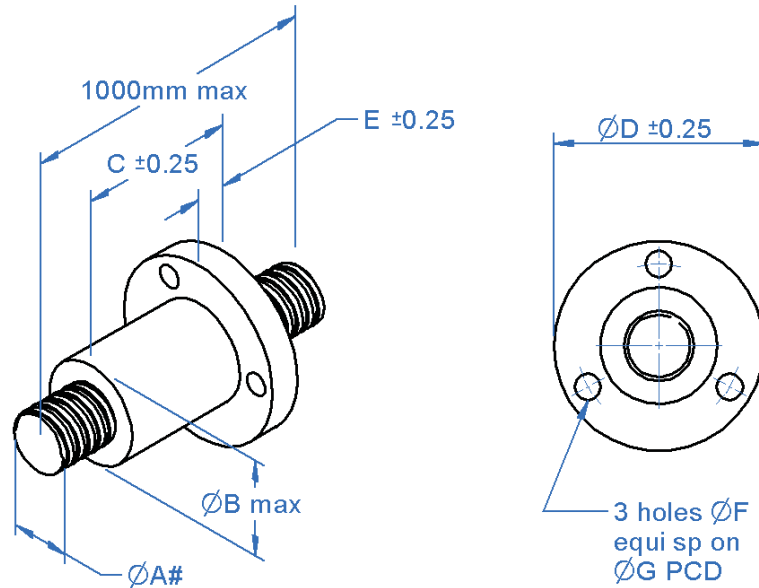
General Information

All dimensions in mm
 General tolerances:
 $\pm 0.13\text{mm}$
 Material:
 Screw - Stainless steel 303.
 Nut - Polyacetal
 Standard lead:
 Right hand

Associated Products

Reli-a-Flex® couplings
 Linear bearings
 Linear slides
 Stepper motors
 Plain bearing

Visit our online catalogue for associated products at:



Drawing dimension table

Leadscrew Series	Screw Dia ØA#	Flange Dia ØD	Flange Width E	Nut Dia ØB	Nut Length C	Mounting Holes ØF	Mounting Hole PCD ØG
LPX6	6.35	25.40	4.82	12.70	25.40	3.56	19.05
LPX10	9.53	28.58	4.82	16.00	25.40	3.56	22.23
LPX11	11.11	38.10	4.82	19.05	38.10	5.16	28.58
LPX13	12.70	38.10	4.82	19.05	38.10	5.16	28.58

www.rpmechatronics.co.uk

- Precision rolled thread for greater accuracy.
- Polyacetal nut with lubricating additive for longer life.
- Life $>7.5 \times 10^6$ metres travel based on 25% of rated load.
- Standard lead accuracy 0.0006mm/mm.
- Backlash, 0.08 to 0.25mm.
- For leadscrew lengths up to 1000mm, add required length to the basic part number.

Non-standard options, please enquire....

- Low friction TFE coating extends nut life by 300%, add **-TFE** to part number.
- Lead screw end modifications - see page 15.
- Higher lead accuracies (0.0001mm/mm).
- Special leads.
- Imperial leadscrews.
- Leadscrews with left hand thread.

Standard Product Sales : ☎ +44 (0)1484 601060 📠 +44 (0)1484 601061
 www.rpmechatronics.co.uk sales@rpmechatronics.co.uk

© Reliance Precision Mechatronics LLP



Part number selection table

Example Part No:- **LPX6-M015 - 300mm**

Leadscrew Dia ØA# (Series)	Metric leads			Rated Load
	Lead	Eff. ‡ %	Basic Part No.	
6.35mm (LPX6) (size 6)	1.0mm	40	LPX6-M010	200N
	1.5mm	52	LPX6-M015	
	2.0mm	59	LPX6-M020	
	3.0mm	68	LPX6-M030	
	10.0mm	78	LPX6-M100	
9.53mm (LPX10) (size 10)	1.4mm	38	LPX10-M014	340N
	2.0mm	47	LPX10-M020	
	4.0mm	65	LPX10-M040	
	5.0mm	69	LPX10-M050	
	12.0mm	82	LPX10-M120	
	25.0mm	84	LPX10-M250	
11.11mm (LPX11) (size 11)	2.0mm	42	LPX11-M020	400N
	3.0mm	52	LPX11-M030	
	5.0mm	65	LPX11-M050	
	6.0mm	70	LPX11-M060	
	10.0mm	77	LPX11-M100	
	12.0mm	80	LPX11-M120	
12.70mm (LPX13) (size 13)	2.5mm	46	LPX13-M025	670N
	4.0mm	58	LPX13-M040	
	5.0mm	62	LPX13-M050	
	10.0mm	76	LPX13-M100	
	16.0mm	80	LPX13-M160	
	25.0mm	84	LPX13-M250	

General Information

All dimensions in mm
 General tolerances:
 ±0.13mm
 Material:
 Screw - Stainless steel 303.
 Nut - Polyacetal
 Standard lead:
 Right hand

Associated Products

Reli-a-Flex® couplings
 Linear bearings
 Linear slides
 Stepper motors
 Plain bearing
 Visit our online catalogue for associated products at:

www.rpmechatronics.co.uk

‡ Efficiencies quoted are maximum theoretical - see page 54.

Thread dimensions are lead dependant - see page 14.

For leadscrew lengths up to 1000mm, add required length to basic part number.

