



**Ball Bearing Journal, End A**

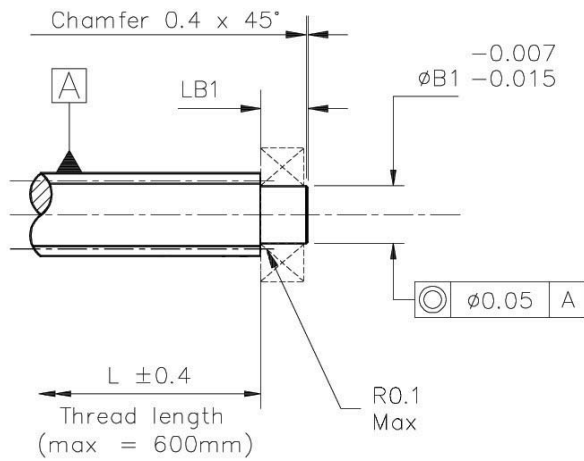
Refer to page 16 for ordering instructions and available associated product part numbers.

**General Information**

All dimensions in mm  
General tolerances:  
±0.13mm

**Associated Products**

Visit our online catalogue for associated products at:



**Drawing dimension table**

Leadscrew Series	Screw Diameter	Journal	
		Diameter ØB1	Length LB1
LAF6, LPX6	6.35	4	4.5
LAF10, LAK10, LPX10	9.53	6	5.5
LAF11, LPX11	11.11	8	6.5
LAF13, LAX13, LPX13	12.70	8	6.5

- End modification engineered to maximise the linear accuracy of the leadscrew.
- Custom end machining also available, please fax or e-mail your drawing.
- Full technical support available on both standard and custom end machining.
- Quantities up to 10 off available in 2 weeks.



[www.rpmechatronics.co.uk](http://www.rpmechatronics.co.uk)